

24232

ATM

VACUUM

ENVIRONMENTAL CONDITIONS

TEMP -40°F TO +225°F
PRESSURE
VACUUM
CHEMICALS
OTHER

QC TESTING

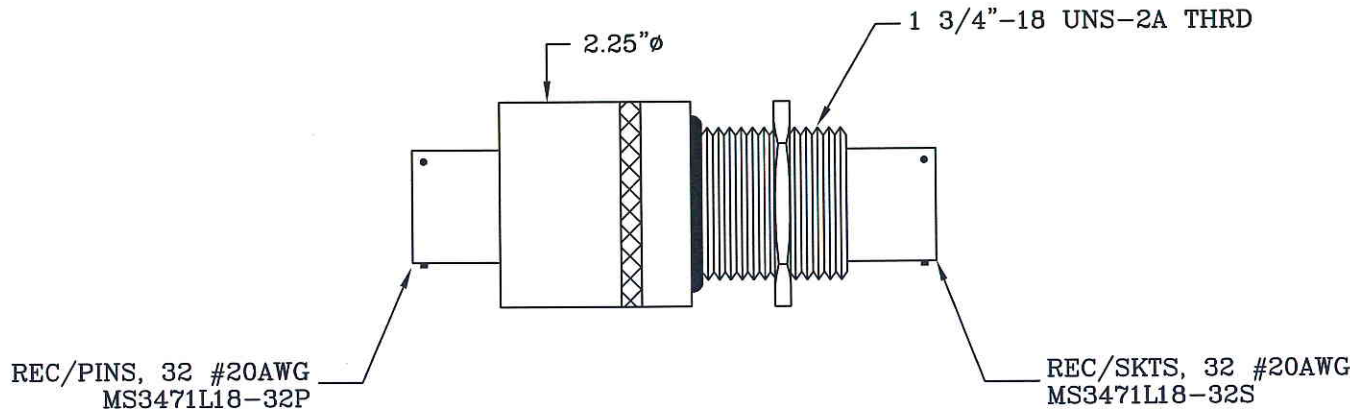
VACUUM LEAK @ 1×10^{-8}
PRESSURE LEAK @ N/A
ELECTRICAL HIPOT @ 600VAC

HOUSING SPECIFICATIONS

HSG P/N 12138
THREAD 1 3/4"-18
MAT'L STN STL
TYPE VACUUM FACESEAL

LEAD WIRE/CONNECTOR DATA

CONTAINS:
(32) #20AWG COPPERWELD
P/N 12182-20



CUSTOMER APPROVAL
By: _____
Date: _____

NOTES:

1. JAM NUT AND NITRILE O-RING SHOWN, INCLUDED
2. DORS NOT INCLUDE MATING CONNECTORS

MASTER

UNLESS NOTED: All Dimensions in Inches, Remove All Burrs, Break All Sharp Edges, Tolerances: .XX ±.01, .XXX ±.005

DOUGLAS ELECTRICAL COMPONENTS



5 Middlebury Blvd, Randolph NJ 07869
PH: 973-627-8230 FX: 866-206-6916

REV	ECN#	APP'D	DATE

Drawn RSM
Date 10/7/08
App'd _____
Date 1/14/09

TITLE
1 3/4"-18 RBTR POTCON
Dwg No 24232
Rev. OR

Ref: CATALOG

SCALE: NTS

SHEET 1 OF 1

VALID THRU Aug. 2010

