

24035

ATM

VACUUM

ENVIRONMENTAL CONDITIONS

TEMP -40°F TO +225°F
 PRESSURE
 VACUUM
 CHEMICALS
 OTHER

QC TESTING

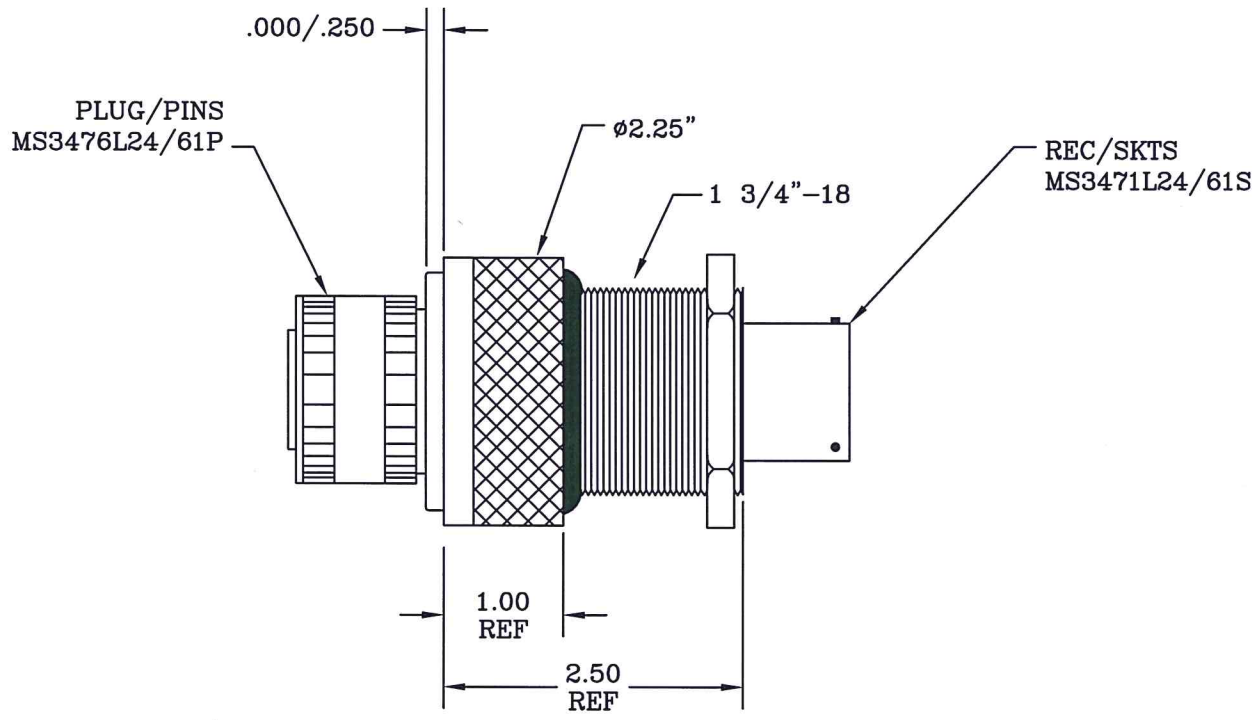
VACUUM LEAK @
 1×10^{-8} ccHe/sec
 ELECTRICAL HIPOT@ 600VAC

HOUSING SPECIFICATIONS

HSG P/N 12138-PC
 THREAD 1 3/4"-18
 MAT'L STN STL
 TYPE VACUUM FACESEAL

LEAD WIRE/CONNECTOR DATA

CONTAINS:
 (61) #20AWG SOLID ROD.



- NOTES:
 1. INSERT CONTAINS 61 #20AWG CONTACTS.
 2. C OF C REQUIRED.

MASTER

UNLESS NOTED: All Dimensions in Inches, Remove All Burrs, Break All Sharp Edges, Tolerances: .XX ±.01, .XXX ±.005

DOUGLAS ELECTRICAL COMPONENTS

5 Middlebury Blvd, Randolph NJ 07869
 PH: 973-627-8230 FX: 866-206.6916

CUSTOMER APPROVAL
 By: _____
 Date: _____

REV	ECN#	APP'D	DATE
OR	6579	KS	01/11/16

TITLE
 1 3/4" PBTR POTCON
 Drawn EHH
 Date 03/29/90
 App'd *[Signature]*
 Date 12/20/14
 Dwg No
 24035
 Rev.
 OR