

ATM

VACUUM

ENVIRONMENTAL CONDITIONS

TEMP -40°F TO +225°F
 PRESSURE VACUUM
 CHEMICALS OTHER

QC TESTING

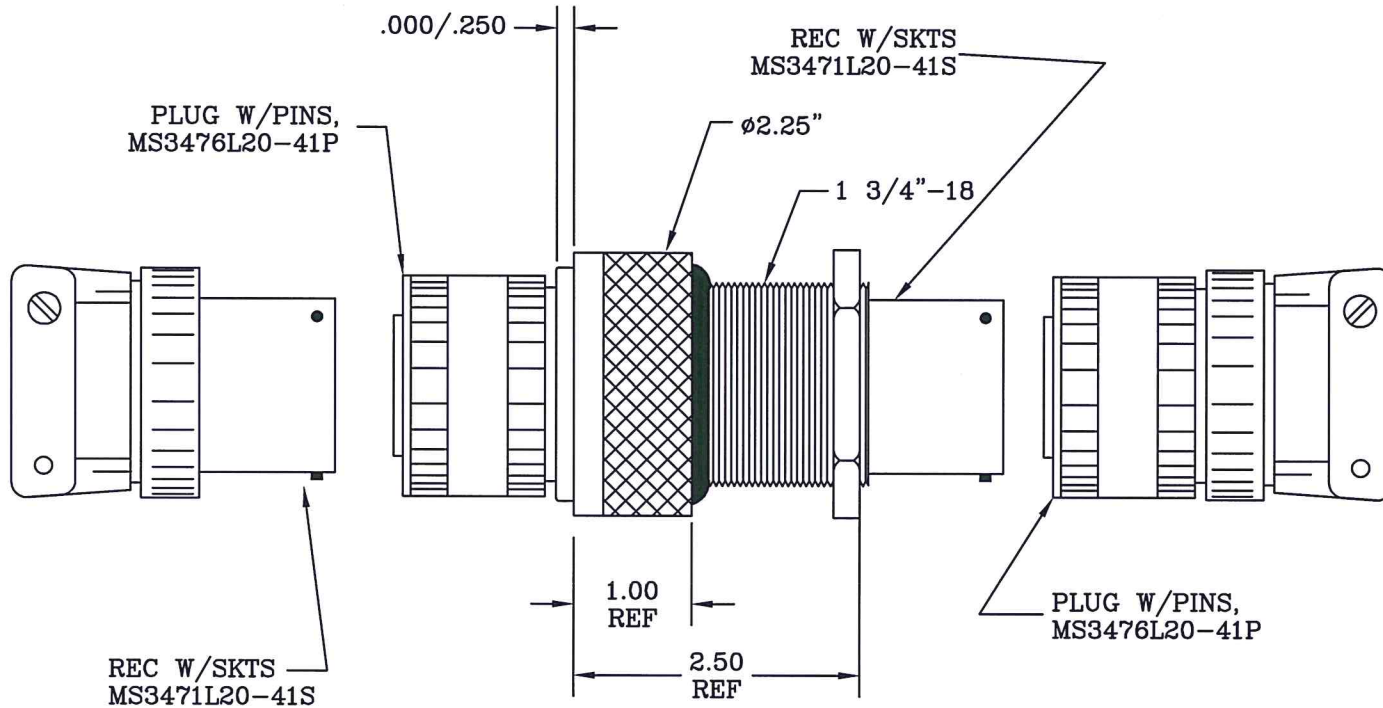
VACUUM LEAK @ 1×10^{-8}
 PRESSURE LEAK @ N/A
 ELECTRICAL HIPOT @ 600VAC

HOUSING SPECIFICATIONS

HSG P/N 12138-PC
 THREAD 1 3/4"-18 UNS-2A
 MAT'L STN STL
 TYPE FACESEAL O-RING

LEAD WIRE/CONNECTOR DATA

CONTAINS:
 (41) #20AWG SOLID ROD



NOTES:

- CONNECTOR INSERT CONTAINS 41 #20AWG SOLID ROD.
- MOUNTING HOLE DIMENSION SHOULD BE A 1.760" ϕ THRU
 A SPOTFACE FINISH OF 32 μ IS REQUIRED FOR THE FACESEAL O-RING WITH A DIAMETER OF 2.25".
- MATES ARE OPTIONAL. TO ORDER MATES AND F/T CALL FOR P/N #SET24033. FOR POTCON ONLY, ORDERED P/N #24033.

MASTER

UNLESS NOTED: All Dimensions in Inches, Remove All Burrs, Break All Sharp Edges, Tolerances: .XX \pm .01, .XXX \pm .005

DOUGLAS ELECTRICAL COMPONENTS



5 Middlebury Blvd, Randolph NJ 07869

PH: 973-627-8230 FX: 866-206-6916

CUSTOMER APPROVAL
 By: _____
 Date: _____

REV	ECN#	APP'D	DATE
A	4463	CR	08/17/04
A	6579	KS	01/11/16

Drawn TW
 Date 9/11/95
 App'd *[Signature]*
 Date 1/22/16

TITLE
 1 3/4"-18 PBTR POTCON
 Dwg No
24033
 Rev.
A

Ref: CARALOG

SCALE: NTS

SHEET 1 OF 1