

28186/4/2 OR

ENVIRONMENTAL CONDITIONS

TEMP -40° TO +225°F
PRESSURE 100 PSI
VACUUM
CHEMICALS
OTHER

ATMOSPHERE

PRESSURE

QC TESTING

ELECTRICAL HIPOT @ 1000VAC
VACUUM LEAK @ NONE
PRESSURE LEAK @ 100 PSI

CONSTRUCTION

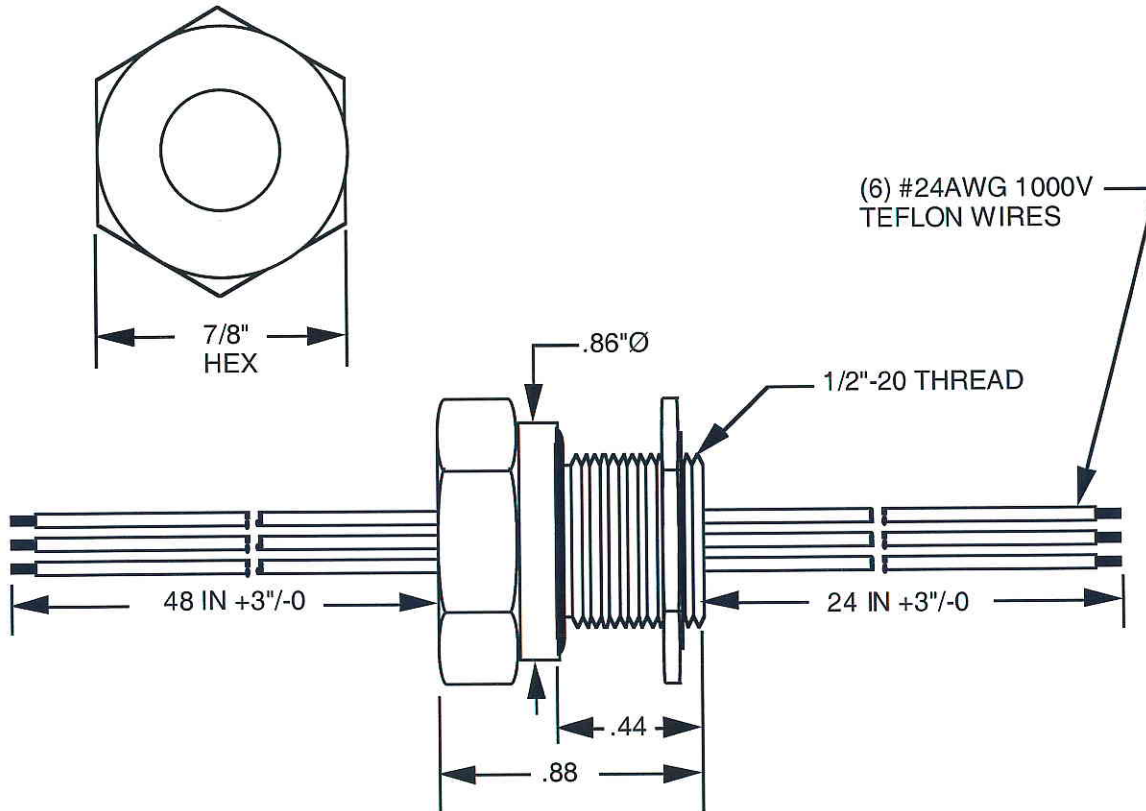
INTERNAL 8232
EXTERNAL 5304-112
POTTING 1469/1481

HOUSING SPECIFICATIONS

HSG P/N 8453-5-4
THREAD 1/2"-20
MAT'L STAINLESS STEEL
TYPE FACESEAL O-RING

LEAD WIRE / CONNECTOR DATA

CONTAINS
(6) #24AWG CUAG 1000V TEFLON WIRES, #1996-24-0.



MASTER

UNLESS NOTED: All Dimension In Inches, Remove All Burrs, Break All Sharp Edges, Tolerances: .XX ±.01, .XXX ±.005

DOUGLAS ELECTRICAL COMPONENTS

14 Beach Street, Rockaway, NJ 07866
PH: 973-627-8230 FX: 973-627-5798

- NOTES:
1. NOT ALL WIRES SHOWN.
 2. TAG/MARK WIRES END TO END.
 3. INCLUDE O-RING AND HEX NUT.

ECN#	REV	APP'D	DATE	Drawn TW	Title	Rev.
				Date 4/7/2003	1/2"-20 PRESSURE FEEDTHRU	
				App'd	Dwg No	
				Date	28186/4/2	OR

Ref: STANFORD UNIVERSITY

SCALE: NTS

SHEET 1 OF 1