

28184T/3/3

ATM

PRESSURE

ENVIRONMENTAL CONDITIONS

TEMP -40°F TO +225°F
 PRESSURE
 VACUUM
 CHEMICALS
 OTHER

QC TESTING

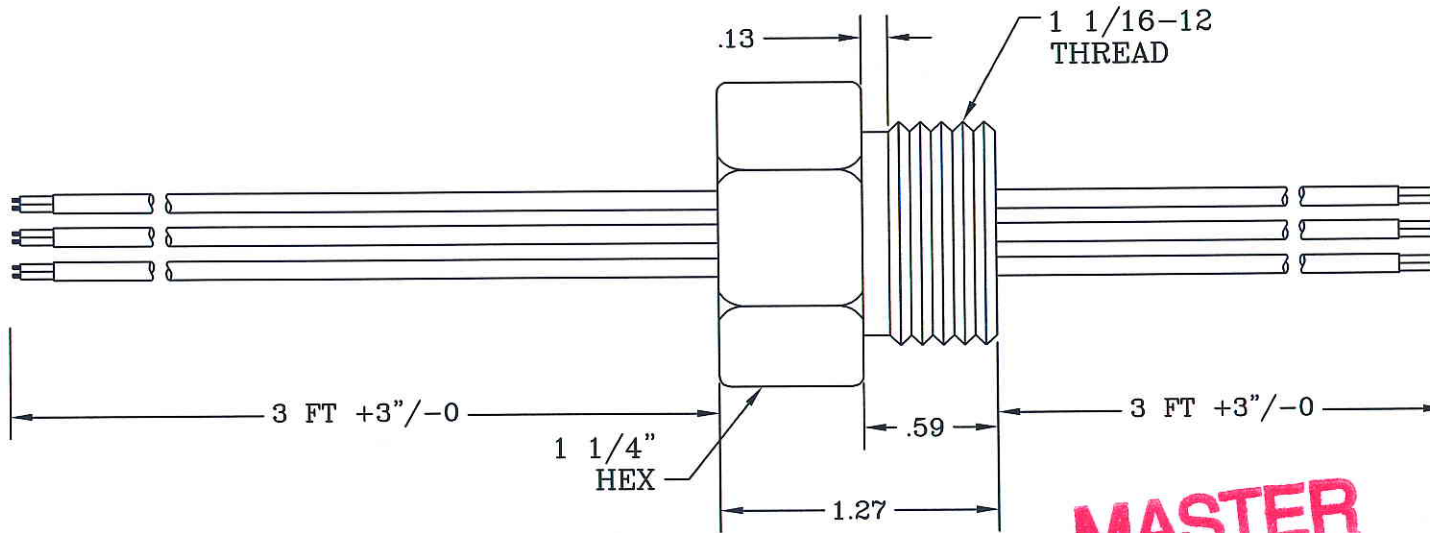
VACUUM LEAK @
 PRESSURE LEAK @ 100 PSI
 ELECTRICAL HIPOT @ 150VAC

HOUSING SPECIFICATIONS

HSG P/N 45283
 THREAD 1 1/16" - 12
 MAT'L SS
 TYPE SAE

LEAD WIRE/CONNECTOR DATA

CONTAINS:
 (20PR) #24AWG, T/C TYPE 'T',
 TEFLON
 P/N 29554-24



MASTER

UNLESS NOTED: All Dimensions In Inches, Remove All Burrs, Break All Sharp Edges, Tolerances: .XX ±.01, .XXX ±.005

DOUGLAS ELECTRICAL COMPONENTS



14 Beach Street, Rockaway, NJ 07866
 PH: 973-627-8230 FX: 973-627-5798

NOTES:

1. NOT ALL WIRES SHOWN.
2. MARK AND TAG ALL WIRES END TO END
3. INCLUDE O-RING (NOT SHOWN)

CUSTOMER APPROVAL
 By: [Signature]
 Date: 8-31-2005

REV	ECN#	APP'D	DATE

Drawn RSM
 Date 8/22/05
 App'd TW
 Date 8/31/2005

TITLE
 1 1/16" SAE FEEDTHRU
 Dwg No 28184T/3/3
 Rev. OF

Ref: YORK-FRICK

SCALE: NTS

SHEET 1 OF 1