

24056

ATM

VACUUM

ENVIRONMENTAL CONDITIONS

TEMP -40°F TO +225°F
 PRESSURE
 VACUUM
 CHEMICALS
 OTHER

QC TESTING

VACUUM LEAK @ 1 X 10⁻⁸
 PRESSURE LEAK @ PSI
 ELECTRICAL HIPOT@ 600VAC

HOUSING SPECIFICATIONS

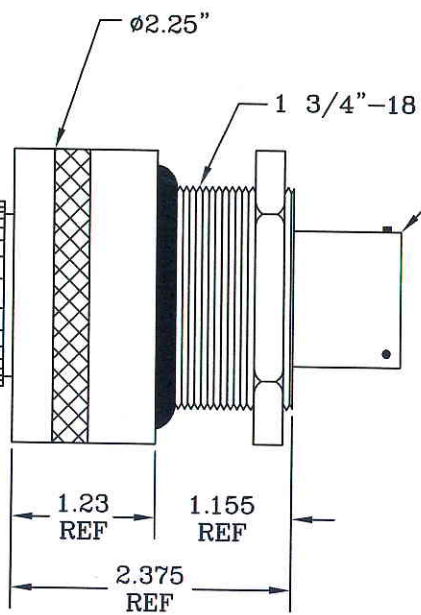
HSG P/N 12138
 THREAD 1 3/4"
 MAT'L STN STL
 TYPE VACUUM FACESEAL

LEAD WIRE/CONNECTOR DATA

CONTAINS:
 (61) #20AWG COPPERWELD,
 12182-20

PLUG/PINS
 MS27467T25F61P

REC/SKTS
 MS27466T25F61S



NOTES:

- DO NOT INCLUDE MATES AND STRAIN RELIEFS

CUSTOMER APPROVAL
 By: _____
 Date: _____

UNLESS NOTED: All Dimensions in Inches, Remove All Burrs, Break All Sharp Edges, Tolerances: .XX = .01, .XXX = .005

DOUGLAS ELECTRICAL COMPONENTS
 14 Beach Street, Rockaway, NJ 07866
 PH: 973-627-8230 FX: 973-627-5798

REV	ECN#	APP'D	DATE

TITLE
 1 3/4" PBTR POTCON
 Drawn TW
 Date 3/20/08
 App'd TW
 Date 6-29-09
 Dwg No
 24056
 Rev.
 OR

MASTER

Ref: CATALOG SCALE: NTS SHEET 1 OF 1

VALID THRU Sept. 2012