

240561

ATM

VACUUM

**ENVIRONMENTAL CONDITIONS**

TEMP -40°F TO +225°F  
 PRESSURE VACUUM  
 CHEMICALS  
 OTHER

**QC TESTING**

VACUUM LEAK @ 1 X 10<sup>-8</sup>  
 PRESSURE LEAK @ PSI  
 ELECTRICAL HIPOT@ 600VAC

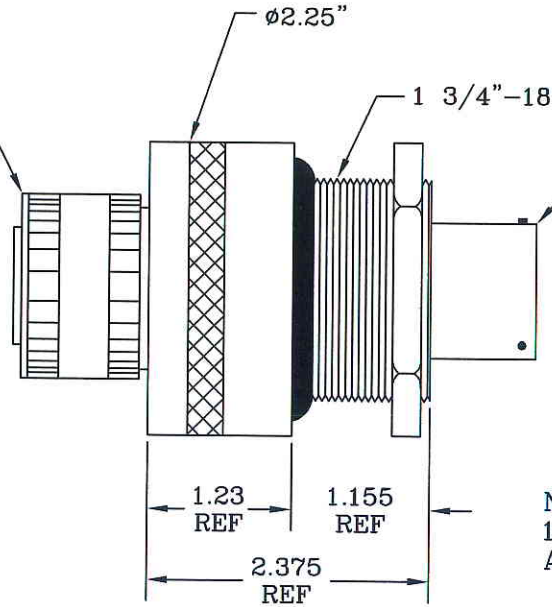
**HOUSING SPECIFICATIONS**

HSG P/N 12138  
 THREAD 1 3/4"  
 MAT'L STN STL  
 TYPE VACUUM FACESEAL

**LEAD WIRE/CONNECTOR DATA**

CONTAINS:  
 (30PR) #20AWG T/C TYPE 'T'  
 P/N 29554-20

PLUG/PINS  
 MS27467T25F61P



REC/SKTS  
 MS27466T25F61S

NOTES:  
 1. DO NOT INCLUDE MATES  
 AND STRAIN RELIEFS

PIN	MATERIAL	PIN	MATERIAL	PIN	MATERIAL	PIN	MATERIAL
A	COPPER	S	CONSTANTAN	h	COPPER	y	CONSTANTAN
B	CONSTANTAN	T	COPPER	i	CONSTANTAN	z	COPPER
C	COPPER	U	CONSTANTAN	j	COPPER	AA	CONSTANTAN
D	CONSTANTAN	V	COPPER	k	CONSTANTAN	BB	COPPER
E	COPPER	W	CONSTANTAN	m	COPPER	CC	CONSTANTAN
F	CONSTANTAN	X	COPPER	n	CONSTANTAN	DD	COPPER
G	COPPER	Y	CONSTANTAN	p	COPPER	EE	CONSTANTAN
H	CONSTANTAN	Z	COPPER	q	CONSTANTAN	FF	COPPER
J	COPPER	a	CONSTANTAN	r	COPPER	GG	CONSTANTAN
K	CONSTANTAN	b	COPPER	s	CONSTANTAN	HH	COPPER
L	COPPER	c	CONSTANTAN	t	COPPER	JJ	CONSTANTAN
M	CONSTANTAN	d	COPPER	u	CONSTANTAN	KK	COPPER
N	COPPER	e	CONSTANTAN	v	COPPER	LL	CONSTANTAN
P	CONSTANTAN	f	COPPER	w	CONSTANTAN	MM	COPPER
R	COPPER	g	CONSTANTAN	x	COPPER	NN	CONSTANTAN
						PP	COPPER (spare)

**MASTER**

CUSTOMER APPROVAL  
 By: \_\_\_\_\_  
 Date: \_\_\_\_\_

UNLESS NOTED: All Dimensions in Inches, Remove All Burrs, Break All Sharp Edges, Tolerances: .XX ±.01, .XXX ±.005

**DOUGLAS ELECTRICAL COMPONENTS**



14 Beach Street, Rockaway, NJ 07866  
 PH: 973-627-8230 FX: 973-627-5798

REV	ECN#	APP'D	DATE

Drawn TW  
 Date 5/15/07  
 App'd *JS*  
 Date 5/14/07

TITLE  
 1 3/4" PBTR T/C TYPE 'T'  
 POTCON  
 Dwg No 24056T  
 Rev. OR

Ref: CATALOG

SCALE: NTS

SHEET 1 OF 1

