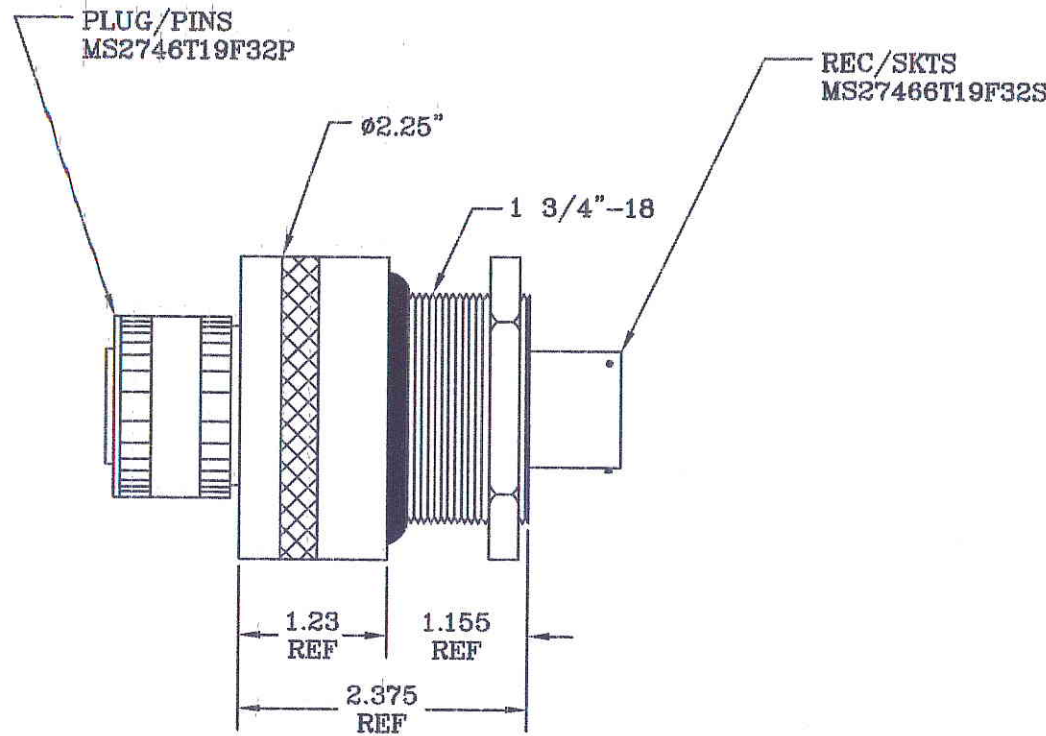


24053

ATM

VACUUM



ENVIRONMENTAL CONDITIONS

TEMP -40°F TO +225°F  
 PRESSURE  
 VACUUM  
 CHEMICALS  
 OTHER

QC TESTING

VACUUM LEAK @ 1 X 10<sup>-8</sup>  
 PRESSURE LEAK @ PSI  
 ELECTRICAL HIPOT @ 600VAC

CONSTRUCTION

INTERNAL  
 EXTERNAL  
 POTTING 1469/1481

HOUSING SPECIFICATIONS

HSG P/N 12138  
 THREAD 1 3/4"  
 MAT'L SS  
 TYPE VACUUM FACESEAL  
LEAD WIRE/CONNECTOR DATA

CONTAINS:

(32) #20AWG COPPERWELD  
 P/N 12182-20

NOTES:

1. DO NOT INCLUDE MATING CONNECTORS

Customer Approval:  
 By:   
 Date: APR 28 2004

UNLESS NOTED: All Dimensions in Inches, Remove All Burrs, Break All Sharp Edges, Tolerances: .XX ±.01, .XXX ±.005

**DOUGLAS ELECTRICAL COMPONENTS**



14 Beach Street, Rockaway, NJ 07866  
 PH: 973-627-6230 FX: 973-627-6798

REV	ECN#	APP'D	DATE

Drawn CR  
 Date 4/12/04  
 App'd   
 Date 4/15/04

TITLE  
 1 3/4" PBTR POTCON

Dwg No  
 24053

Rev.  
 OR

Ref: CATALOG

SCALE: NTS

SHEET 1 OF 1

DE 2 MASTER

VALID THRU Feb. 2011