

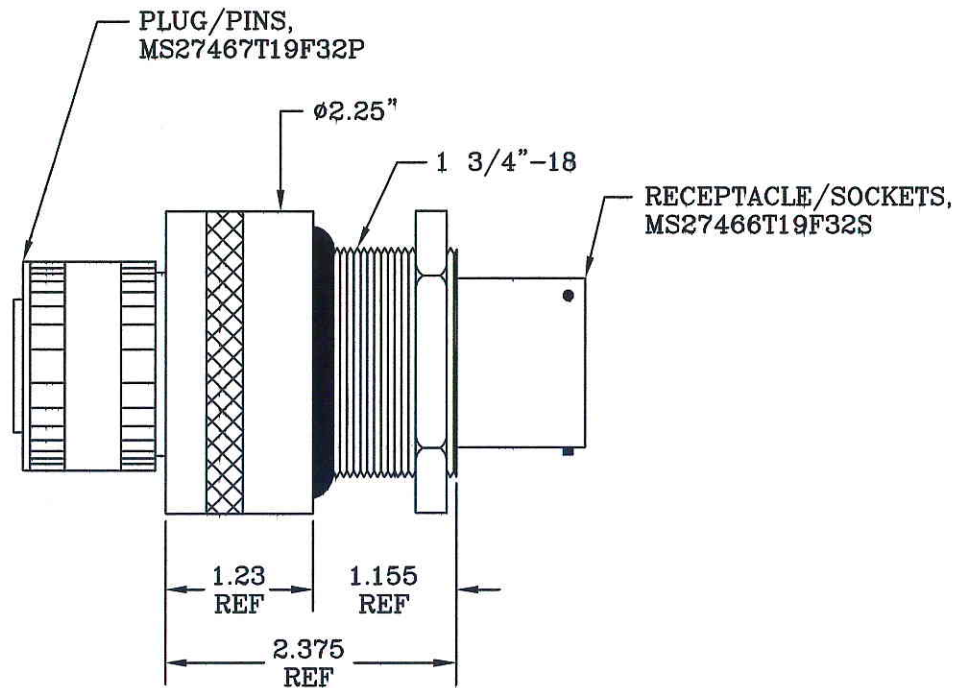
24053K

Contact Arrangement

PIN#	MATERIAL
A	Chromel(+)
B	Alumel(-)
C	Chromel(+)
D	Alumel(-)
E	Chromel(+)
F	Alumel(-)
G	Chromel(+)
H	Alumel(-)
J	Chromel(+)
K	Alumel(-)
L	Chromel(+)
M	Alumel(-)
N	Chromel(+)
P	Alumel(-)
R	Chromel(+)
S	Alumel(-)
T	Chromel(+)
U	Alumel(-)
V	Chromel(+)
W	Alumel(-)
X	Chromel(+)
Y	Alumel(-)
Z	Chromel(+)
a	Alumel(-)
b	Chromel(+)
c	Alumel(-)
d	Chromel(+)
e	Alumel(-)
f	Chromel(+)
g	Alumel(-)
h	Chromel(+)
j	Alumel(-)

ATM

VACUUM



ENVIRONMENTAL CONDITIONS

TEMP -40°F TO +225°F
 PRESSURE
 VACUUM
 CHEMICALS
 OTHER

QC TESTING

VACUUM LEAK @
 < 1 X 10⁻⁸ cc He/sec

ELECTRICAL HIPOT@ 600VAC

HOUSING SPECIFICATIONS



HSG P/N 12138
 THREAD 1 3/4"-18
 MAT'L STAINLESS STEEL
 TYPE VACUUM FACESEAL

LEAD WIRE/CONNECTOR DATA

CONTAINS:
 (16 PR) #20AWG TYPE 'K' T/C,
 29553-20.

MASTER

UNLESS NOTED: All Dimensions in Inches, Remove All Burrs, Break All Sharp Edges, Tolerances: .XX ±.01, .XXX ±.005

CUSTOMER APPROVAL				DOUGLAS ELECTRICAL COMPONENTS	
By: _____				 14 Beach Street, Rockaway, NJ 07866 PH: 973-627-8230 FX: 973-627-5798	
Date: _____					
REV	ECN#	APP'D	DATE	TITLE 1 3/4"-18 PBTR TYPE 'K' T/C POTCON Dwg No 24053K Rev. OR	
Ref: CATALOG				Drawn TW Date 12/27/06 App'd  Date 2/12/07	SCALE: NTS SHEET 1 OF 1

NOTES:

1. INCLUDE O-RING AND JAM NUT.
2. SHELL TO SHELL AND SHELL TO HOUSING CONTINUITY REQUIRED.
3. ASSEMBLE USING TYPE 'K' T/C ALLOY CONTACTS.