

28338 T / 4 / 4

ATMOSPHERE

VACUUM

ENVIRONMENTAL CONDITIONS

TEMP -40° TO +225°F
 PRESSURE
 VACUUM
 CHEMICALS
 OTHER

QC TESTING

ELECTRICAL HIPOT @ 150VAC
 VACUUM LEAK @ 1 X 10(-8) STD cc He/sec
 PRESSURE LEAK @ NONE

CONSTRUCTION

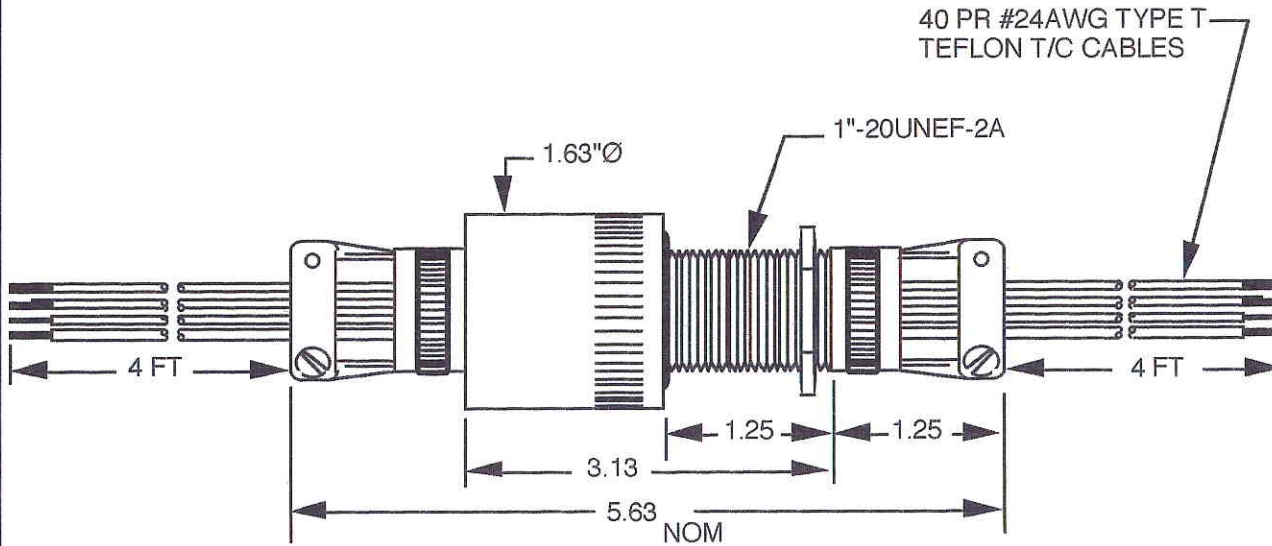
INTERNAL 5294
 EXTERNAL 5304-123
 POTTING 1469/1481

HOUSING SPECIFICATIONS

HSG P/N 12376-2-3
 THREAD 1"-20 UNEF-2A
 MAT'L STAINLESS STEEL
 TYPE FACESEAL O-RING

LEAD WIRE / CONNECTOR DATA

40 PAIR, #24AWG TYPE 'T' TEFLON THERMOCOUPLE CABLES, P/N 10994-T-24-1.



NOTES:

1. NOT ALL WIRES SHOWN.
2. TAG WIRES END TO END.

UNLESS NOTED: All Dimension In Inches, Remove All Burrs, Break All Sharp Edges, Tolerances: .XX ±.01, .XXX ±.005

MASTER

DOUGLAS ENGINEERING COMPANY

14 Beach Street, Rockaway, NJ 07866
 PH: 201-627-8230 FX: 201-627-5798

ECN#	REV	APP'D	DATE	Title	
				1"-20 T/C FEEDTHRU	
Drawn TW Date 6/26/96 App'd <i>[Signature]</i> Date 6/26/96				Dwg No	Rev.
				28338T/4/4	OR
Ref: CATALOG / SCHAEFFER MAGNETICS				SCALE: NTS	SHEET 1 OF 1