

2001-1-1

ATMOSPHERE

VACUUM

**ENVIRONMENTAL CONDITIONS**

TEMP -40° TO +225°F  
PRESSURE  
VACUUM  
CHEMICALS  
OTHER

**QC TESTING**

ELECTRICAL HIPOT @ 1000VAC  
VACUUM LEAK @ 1 X 10(-8) STD cc He/sec  
PRESSURE LEAK @ NONE

**CONSTRUCTION**

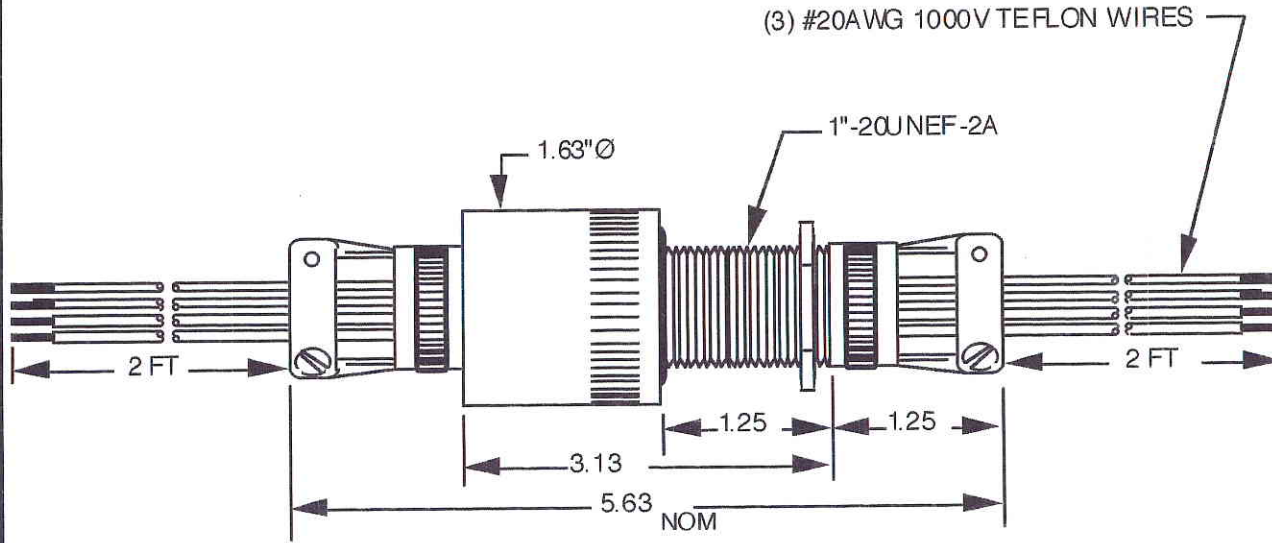
INTERNAL 5294  
EXTERNAL 5304-123  
POTTING 1469/1481

**HOUSING SPECIFICATIONS**

HSG P/N 12376-2-3  
THREAD 1"-20 UNEF-2A  
MAT'L STAINLESS STEEL  
TYPE FACESEAL O-RING

**LEAD WIRE / CONNECTOR DATA**

CONTAINS:  
(3) #20AWG CUAG 1000V TEFLON WIRE, 1996-20-0.



**NOTES:**

1. MARK/TAG WIRES END TO END.
2. ALL WIRE LENGTHS ARE 24 INCHES BOTH SIDES.
3. ALL SAE F/T'S MUST BE TESTED AT 2000 PSI.
4. ALL FACESEAL F/T'S MUST BE HELIUM LEAK TESTED.
5. ALL TEST DATA (NOTES 3 & 4) MUST BE ATTACHED.
6. THE STAINLESS STEEL HOUSINGS MUST BE 316SS. A MAT'L CERTIFICATE STATING MATERIAL IS 316SS MUST BE ATTACHED.

**UNLESS NOTED:** All Dimension In Inches, Remove All Burrs, Break All Sharp Edges, Tolerances: .XX ±.01, .XXX ±.005

**DOUGLAS ENGINEERING COMPANY**

14 Beach Street, Rockaway, NJ 07866  
PH: 201-627-8230 FX: 201-627-5798

**MASTER**

ECN#	REV	APP'D	DATE	Title		Rev.
				1"-20 FACESEAL F/T		
				Drawn TW	Dwg No	
				Date 5/17/96	28321/2/2	OR
				App'd <i>apl</i>		
				Date 5/2/96		
Ref: CATALOG / TECSAM				SCALE: NTS		SHEET 1 OF 1