

28195K/4/4

ATM

PRESSURE

ENVIRONMENTAL CONDITIONS

TEMP -40°F TO +225°F  
 PRESSURE  
 VACUUM  
 CHEMICALS  
 OTHER

QC TESTING

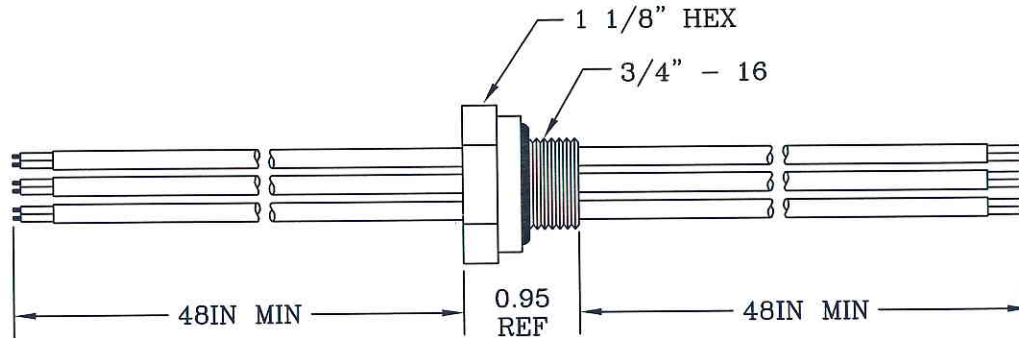
VACUUM LEAK @ N/A  
 PRESSURE LEAK @ 100PSI  
 ELECTRICAL HIPOT @ 150VAC

HOUSING SPECIFICATIONS

HSG P/N 8453-7-4  
 THREAD 3/4"  
 MAT'L STN ST  
 TYPE PRESSURE FACESEAL

LEAD WIRE/CONNECTOR DATA

CONTAINS:  
 (5PR) #24AWG T/C TYPE 'K' TEF  
 P/N 10999-K-24-1



  
 CUSTOMER APPROVAL  
 By: JA  
 Date: 5-23-07

**MASTER**

UNLESS NOTED: All Dimensions in Inches, Remove All Burrs, Break All Sharp Edges, Tolerances: .XX +.01, .XXX +.005

**DOUGLAS ELECTRICAL COMPONENTS**  
 14 Beach Street, Rockaway, NJ 07866  
 PH: 973-627-8230 FX: 973-627-5791

NOTES:

1. NOT ALL WIRES SHOWN
2. MARK AND TAG ALL WIRES END TO END
3. VITON O-RING SHOWN INCLUDED
4. JAM NUT INCLUDED, NOT SHOWN

REV	ECN#	APP'D	DATE	TITLE
				3/4" T/C PRESSURE FACESEAL FEEDTHRU
			Drawn RSM	Dwg No
			Date 5/21/07	28195K/4/4
			App'd <u>JS</u>	Rev. <u>01</u>
			Date <u>5/21/07</u>	

Ref: RES GROUP SCALE: NTS SHEET 1 OF 1

