

28163/6/4

ATM

PRESSURE

ENVIRONMENTAL CONDITIONS

TEMP -40°F to +225°F

PRESSURE

VACUUM

CHEMICALS

OTHER

QC TESTING

VACUUM LEAK @ N/A

PRESSURE LEAK @ 100PSI

ELECTRICAL HIPOT @ 1000VAC

HOUSING SPECIFICATIONS

HSG P/N 12271-3-2

SIZE 3/4"

MAT'L STN STL

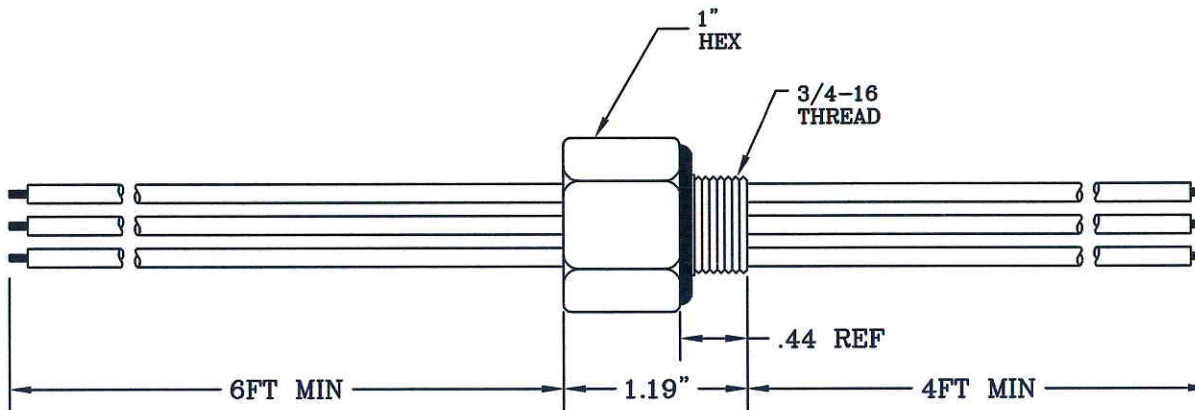
TYPE SAE

LEAD WIRE/CONNECTOR DATA

CONTAINS:

(3) #12AWG, 1000V TEFLON

P/N 48440-12-0



CUSTOMER APPROVAL
 By: *[Signature]*
 Date: *3/25/11*

MASTER

UNLESS NOTED: All Dimensions in Inches, Remove All Burrs, Break All Sharp Edges, Tolerances: .XX ±.01, .XXX ±.005

DOUGLAS ELECTRICAL COMPONENTS



5 Middlebury Blvd Randolph, NJ 07866

PH: 973-827-8230 FX: 866-206-6916

NOTES:

1. ALL WIRES SHOWN
2. MARK AND TAG WIRES END TO END
3. O-RING INCLUDED 26309-908

REV	ECN#	APP'D	DATE

Drawn RSM
 Date 3/25/2011
 App'd *[Signature]*
 Date 3/25/11
 TITLE 3/4" SAE FEEDTHRU
 Dwg No 28163/6/4
 Rev. OR

Ref: UNIVERSITY OF MISSISSIPPI

SCALE: NTS

SHEET 1 OF 1