

**28110-8-8 OR**

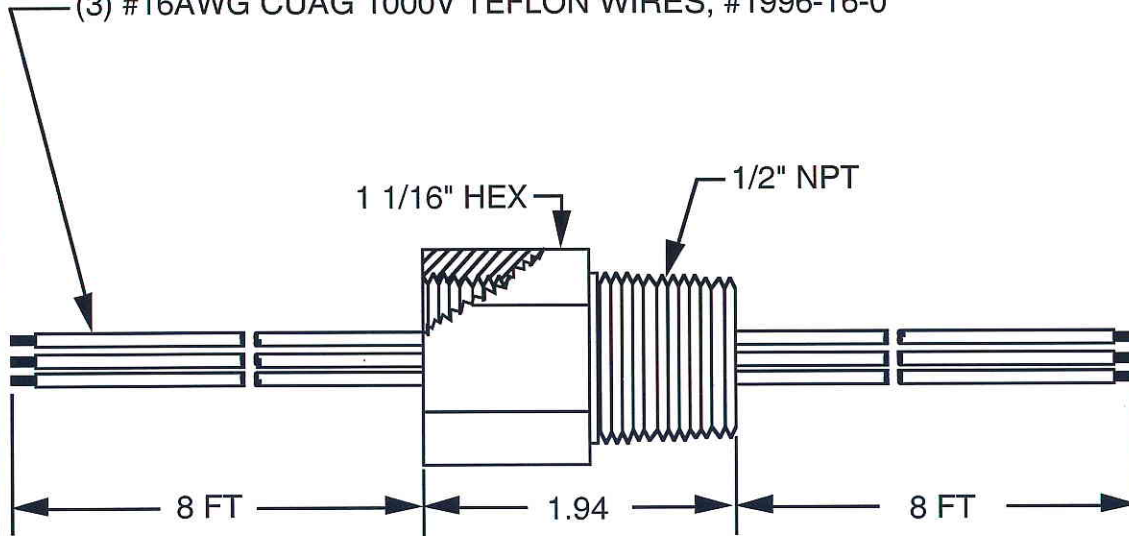
**ENVIRONMENTAL CONDITIONS**

TEMP -40° TO +225°F  
 PRESSURE 15 PSID  
 VACUUM  
 CHEMICALS  
 OTHER

**QC TESTING**

ELECTRICAL HIPOT @ 1000VAC  
 VACUUM LEAK @ 1 X 10(-8) STD cc He/sec  
 PRESSURE LEAK @ NONE

(3) #16AWG CUAG 1000V TEFLON WIRES, #1996-16-0



**CONSTRUCTION**

INTERNAL 8232  
 EXTERNAL  
 POTTING 1469/1481

**HOUSING SPECIFICATIONS**

HSG P/N 26568-4-1  
 THREAD 1/2"  
 MAT'L BRASS  
 TYPE NPT ADAPTOR

**LEAD WIRE / CONNECTOR DATA**

CONTAINS  
 (3) #16AWG CUAG 1000V TEFLON WIRES, #1996-16-0.

**NOTES:**

1. MARK/TAG WIRES END TO END.
2. DO NOT POT FEMALE THREADS W/ EPOXY.

**MASTER**

UNLESS NOTED: All Dimension In Inches, Remove All Burrs, Break All Sharp Edges, Tolerances: .XX ±.01, .XXX ±.005

**DOUGLAS ENGINEERING COMPANY**

14 Beach Street, Rockaway, NJ 07866  
 PH: 973-627-8230 FX: 973-627-5798

ECN#	REV	APP'D	DATE	Title	
				1/2" NPT ADAPTOR FEEDTHRU	
Drawn TW Date 12/6/2001 App'd <i>m/r</i> Date 12/6/01				Dwg No	Rev.
				<b>28110-8-8</b>	<b>OR</b>
Ref: ETC				SCALE: NTS	SHEET 1 OF 1