

28090/4/6 OR

ENVIRONMENTAL CONDITIONS

TEMP -40° TO +225°F
PRESSURE
VACUUM
CHEMICALS
OTHER

QC TESTING

ELECTRICAL HIPOT @ 1000VAC
VACUUM LEAK @ 1 X 10(-8) STD cc He/sec
PRESSURE LEAK @

CONSTRUCTION

INTERNAL 8232
EXTERNAL
POTTING 1469/1481

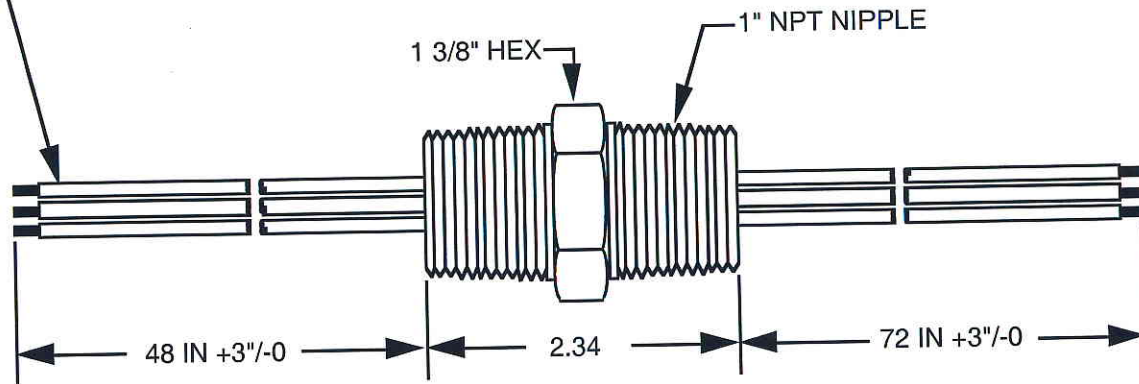
HOUSING SPECIFICATIONS

HSG P/N 6098-12-1
THREAD 1"
MAT'L BRASS
TYPE NPT NIPPLE

LEAD WIRE / CONNECTOR DATA

CONTAINS
(20) #20AWG CUAG 1000V TEFLON WIRES, #1996-20-0.

(20) #20AWG CUAG 1000V TEFLON WIRES, #1996-20-0



NOTES:

- 1. TAG WIRES END TO END.
- 2. NOT ALL WIRES SHOWN.

UNLESS NOTED: All Dimension In Inches, Remove All Burrs, Break All Sharp Edges, Tolerances: .XX ±.01, .XXX ±.005

MASTER

DOUGLAS ENGINEERING COMPANY
14 Beach Street, Rockaway, NJ 07866
PH: 973-627-8230 FX: 973-627-5798

DE 2

Customer Approval:
By: *MAY 20 2004*
Date:

ECN#	REV	APP'D	DATE

Drawn TW
Date 5/17/2004
App'd *m j k*
Date 5/12/04

Title
1" NPT NIPPLE FEEDTHRU
Dwg No
28090/4/6
Rev.
OR

Ref: VACUUM ATMOSPHERES SCALE: NTS SHEET 1 OF 1

FIRST ARTICLE INSPECTION: REQUIRED NOT REQUIRED