

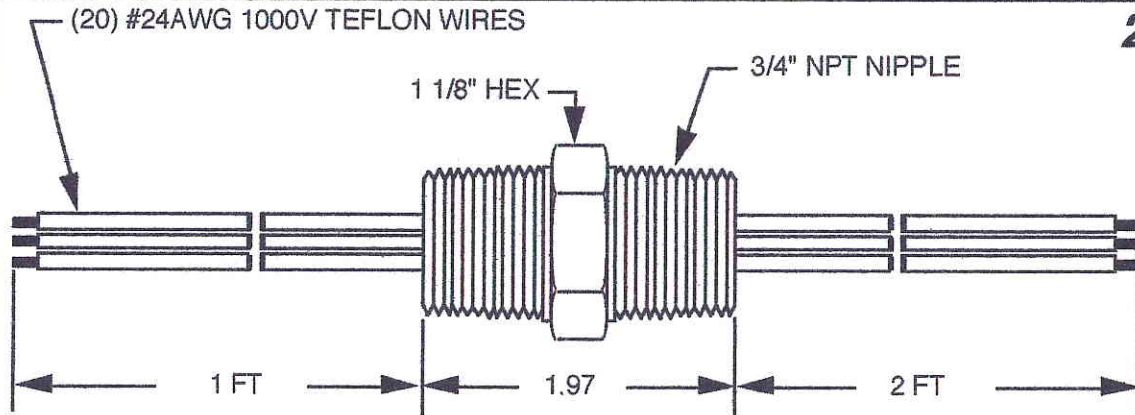
28068-1-2 OR

ENVIRONMENTAL CONDITIONS

TEMP -40° TO +225°F
 PRESSURE
 VACUUM
 CHEMICALS
 OTHER

QC TESTING

ELECTRICAL HIPOT @ 1000VAC
 VACUUM LEAK @ NONE
 PRESSURE LEAK @ 100 PSI



CONSTRUCTION

INTERNAL 5294
 EXTERNAL
 POTTING 1469/1481

HOUSING SPECIFICATIONS

HSG P/N 6098-11-1
 THREAD 3/4"
 MAT'L BRASS
 TYPE NPT NIPPLE

LEAD WIRE / CONNECTOR DATA

CONTAINS:
 (20) #24AWG 1000V TEFLON WIRES, 1996-24-0.

NOTES:

1. NOT ALL WIRES SHOWN.
2. MARK/TAG WIRES END TO END.

UNLESS NOTED: All Dimension In Inches, Remove All Burrs,
 Break All Sharp Edges, Tolerances: .XX ±.01, .XXX ±.005

DOUGLAS ENGINEERING COMPANY
 14 Beach Street, Rockaway, NJ 07866
 PH: 201-627-8230 FX: 201-627-5798

MASTER

ECN#	REV	APP'D	DATE	Title	Rev.
				3/4" NPT NIPPLE FEEDTHRU	OR
				Drawn TW Date 9/8/97 App'd <i>[Signature]</i> Date 7/2/98	Dwg No 28068-1-2
Ref: ROSEMOUNT ANALYTICAL				SCALE: NTS	SHEET 1 OF 1