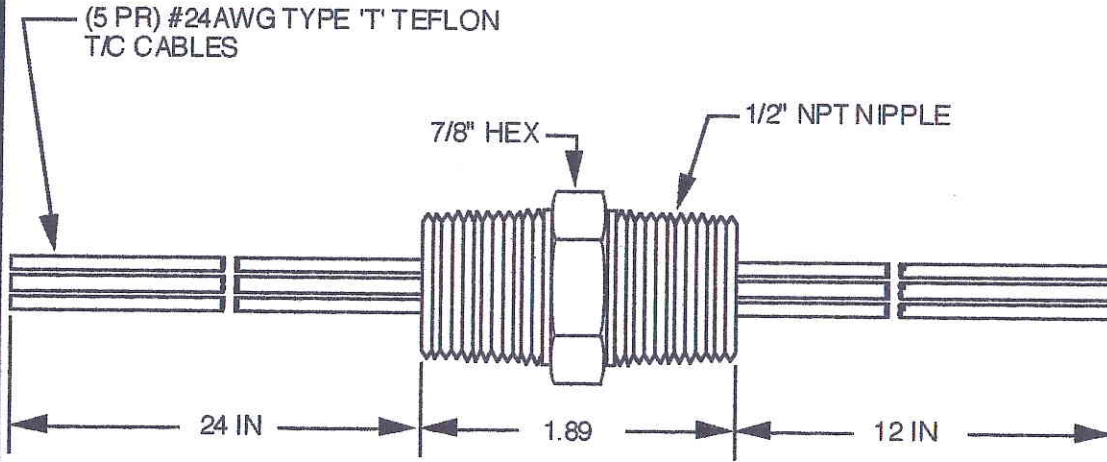


28064T-1-2

PRESSURE →



(5 PR) #24AWG TYPE 'T' TEFLON T/C CABLES

7/8" HEX

1/2" NPT NIPPLE

24 IN

1.89

12 IN

NOTES:

1. NOT ALL CABLES SHOWN.
2. MARK/TAG CABLES END TO END.

ENVIRONMENTAL CONDITIONS

TEMP -40° TO +225°F
 PRESSURE
 VACUUM
 CHEMICALS
 OTHER

QC TESTING

ELECTRICAL HIPOT @ 150VAC
 VACUUM LEAK @ NONE
 PRESSURE LEAK @ 200 PSI

CONSTRUCTION

INTERNAL 5294
 EXTERNAL
 POTTING 1469/1481

HOUSING SPECIFICATIONS

HSG P/N 6098-9-1
 THREAD 1/2"
 MAT'L BRASS
 TYPE NPT NIPPLE

LEAD WIRE / CONNECTOR DATA

CONTAINS:
 (5 PR) #24AWG TYPE 'T' TEFLON CABLES, P/N 10994-T-24-1.

UNLESS NOTED: All Dimension in Inches, Remove All Burrs, Break All Sharp Edges, Tolerances: .XX ±.01, .XXX ±.005

DOUGLAS ENGINEERING COMPANY
 14 Beach Street, Rockaway, NJ 07866
 PH: 201-627-8230 FX: 201-627-5798

MASTER

ECN#	REV	APP'D	DATE	Title
				1/2" NPT NIPPLE FEEDTHRU
				Dwg No
				28064T/1/2
				Rev.
				OR
Ref: SLAC				SCALE: NTS
				SHEET 1 OF 1

Drawn TW
 Date 10/28/96
 App'd *[Signature]*
 Date 12/28/96