

# 28010/1/1

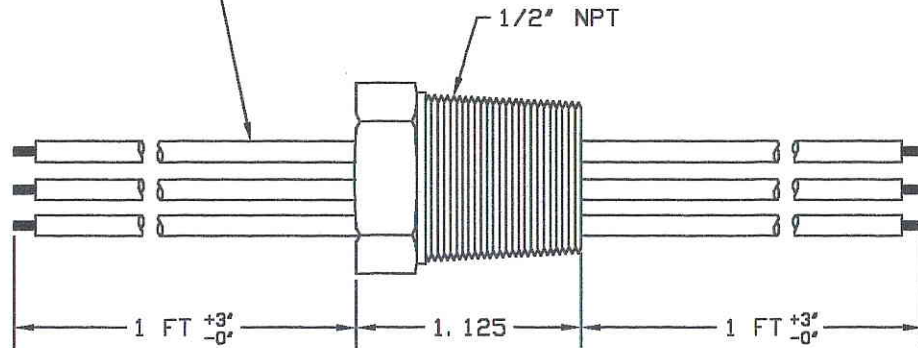
## ENVIRONMENTAL CONDITIONS

TEMP -40°F TO +225°F  
 PRESSURE  
 VACUUM  
 CHEMICALS  
 OTHER

## QC TESTING

VACUUM LEAK @ NONE  
 PRESSURE LEAK @ 100 PSI  
 ELECTRICAL HIPOT @ 1000VAC

(3) #12AWG CUAG  
 1000V TEFLON WIRE,  
 P/N 1996-12-0



## HOUSING SPECIFICATIONS

HSG P/N 9281  
 THREAD 1/2"  
 MAT'L BRASS  
 TYPE NPT PLUG

## LEAD WIRE/CONNECTOR DATA

CONTAINS  
 (3) #12AWG CUAG 1000V TEFLON  
 WIRE, P/N #1996-12-0

### NOTES:

1. WIRE MARKERS REQUIRED END TO END.

UNLESS NOTED: All Dimensions in Inches, Remove All  
 Burrs, Break All Sharp Edges, Tolerances: .XX ±.01, .XXX ±.005

## DOUGLAS ELECTRICAL COMPONENTS



14 Beach Street, Rockaway, NJ 07866

PH: 973-827-8280 FX: 973-827-5788

**MASTER**

REV	ECN#	APP'D	DATE	TITLE
				1/2" NPT F/T
				Drawn TW
				Date 2/5/03
				App'd <i>[Signature]</i>
				Date 2/5/03
Ref: ONCORE				Dwg No 28010/1/1
				Rev. OR
				SCALE: NTS
				SHEET 1 OF 1

VALID THRU Sept. 2010