

ATMOSPHERE

VACUUM 24258 OR

ENVIRONMENTAL CONDITIONS

TEMP -40° TO +225°F
PRESSURE
VACUUM
CHEMICALS
OTHER

QC TESTING

ELECTRICAL HIPOT @ 600VAC
VACUUM LEAK @ 1 X 10(-8) STD cc He/sec
PRESSURE LEAK @ NONE

CONSTRUCTION

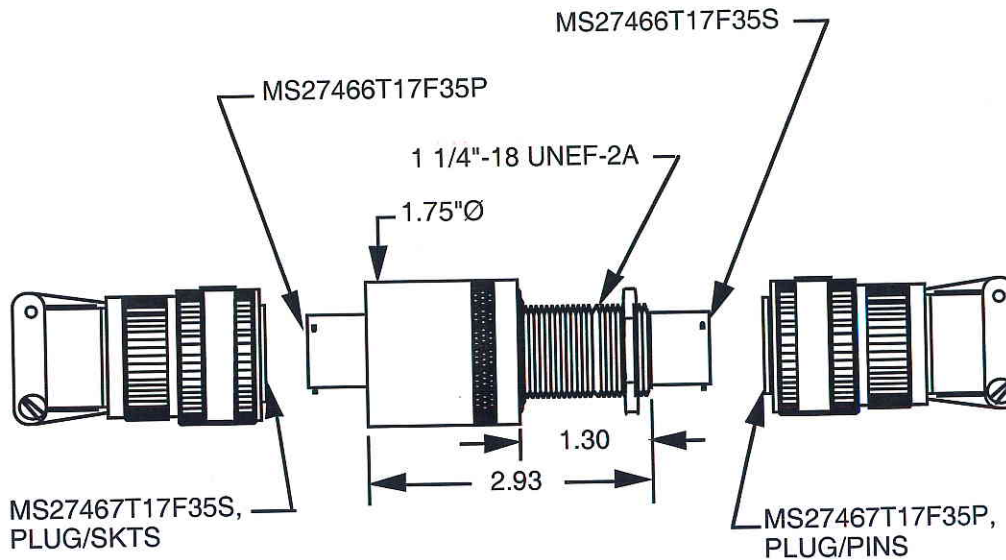
POTTING 1469/1481

HOUSING SPECIFICATIONS

HSG P/N 11058-3-3
THREAD 1 1/4"-18 UNEF-2A
MAT'L STAINLESS STEEL
TYPE FACESEAL O-RING

LEAD WIRE / CONNECTOR DATA

CONTAINS:
(55) #22AWG GOLD PLATED COPPER CONTACTS.



NOTES:

- CONNECTOR INSERT CONTAINS 55 #22AWG COPPER CONTACTS.
- INCLUDE MATING CONNECTORS AND S/R WHEN ORDERED AS A SET.

UNLESS NOTED: All Dimension In Inches, Remove All Burrs, Break All Sharp Edges, Tolerances: .XX ±.01, .XXX ±.005

DOUGLAS ENGINEERING COMPANY
 14 Beach Street, Rockaway, NJ 07866
 PH: 973-627-8230 FX: 973-627-5798

ECN#	REV	APP'D	DATE	Title	Rev.
				1 1/4"-18 RBTR POTCON	OR
Drawn TW Date 9/30/98 App'd Date 6/16/05				Dwg No 24258	
Ref: CATALOG				SCALE: NTS	SHEET 1 OF 1

**TO MACHINE SHOP
FOR MODIFICATION**

MASTER

FIRST ARTICLE INSPECTION: REQUIRED NOT REQUIRED

VALID THRU *Sept. 2013*
11 Dec 2010

