

24235

ATM

VACUUM

NORMAL CLOCKING

MASTER

ENVIRONMENTAL CONDITIONS

TEMP -40°F TO +225°F
PRESSURE
VACUUM
CHEMICALS
OTHER

QC TESTING

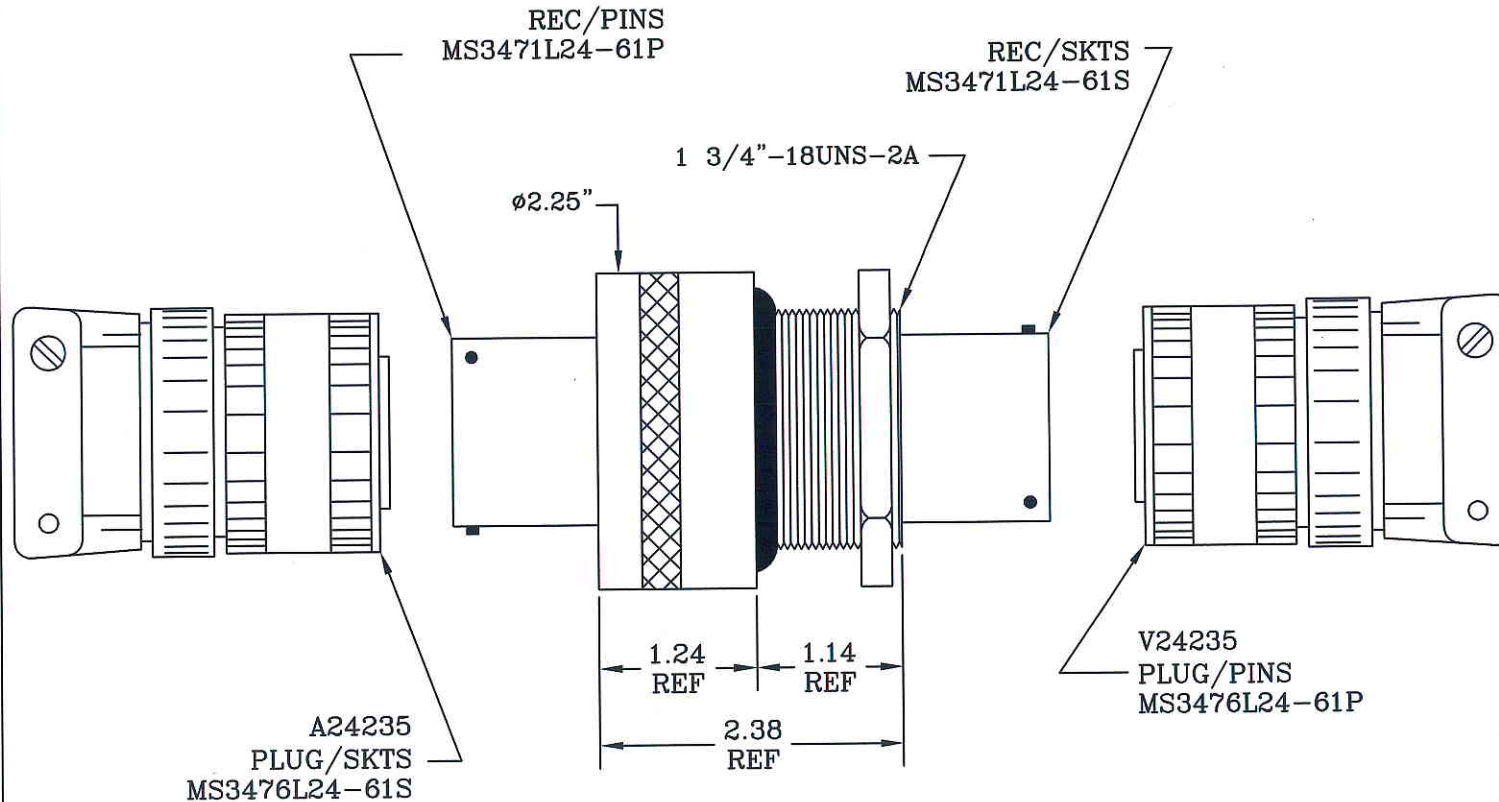
VACUUM LEAK @ 1 X 10⁻⁸
PRESSURE LEAK @ PSI
ELECTRICAL HIPOT@ 600VAC

HOUSING SPECIFICATIONS

HSG P/N 12138
THREAD 1 3/4"-18 UNS-2A
MAT'L SS
TYPE VACUUM FACESEAL

LEAD WIRE/CONNECTOR DATA

CONTAINS:
(61) #20AWG COPPER WELD



CUSTOMER APPROVAL
 By: _____
 Date: _____

UNLESS NOTED: All Dimensions In Inches, Remove All Burrs, Break All Sharp Edges, Tolerances: .XX ±.01, .XXX ±.005

DOUGLAS ELECTRICAL COMPONENTS



14 Beach Street, Rockaway, NJ 07866
PH: 973-627-8230 FX: 973-627-5798

NOTES:

1. INCLUDE MATES/SR WHEN ORDERED AS A SET
2. CONNECTOR INSERT CONSISTS OF 61 #20AWG CONTACTS

REV	ECN#	APP'D	DATE

Drawn TW
 Date 9/28/95
 App'd
 Date

TITLE
1 3/4"-18 RBTR POTCON

Dwg No
24235

Rev.
A

Ref: CATALOG

SCALE: NTS

SHEET 1 OF 1

VALID THRU Sept. 2013