

ATMOSPHERE

VACUUM

ENVIRONMENTAL CONDITIONS

TEMP -40° TO +225°F
PRESSURE
VACUUM
CHEMICALS
OTHER

QC TESTING

ELECTRICAL HIPOT @ 150VAC
VACUUM LEAK @ 1 X 10(-8) STD cc He/sec
PRESSURE LEAK @ NONE

CONSTRUCTION

INTERNAL 5294
EXTERNAL 5304-134
POTTING 1469/1481

HOUSING SPECIFICATIONS

HSG P/N 12138
THREAD 1 3/4"-18 UNS-2A
MAT'L STAINLESS STEEL
TYPE FACESEAL O-RING

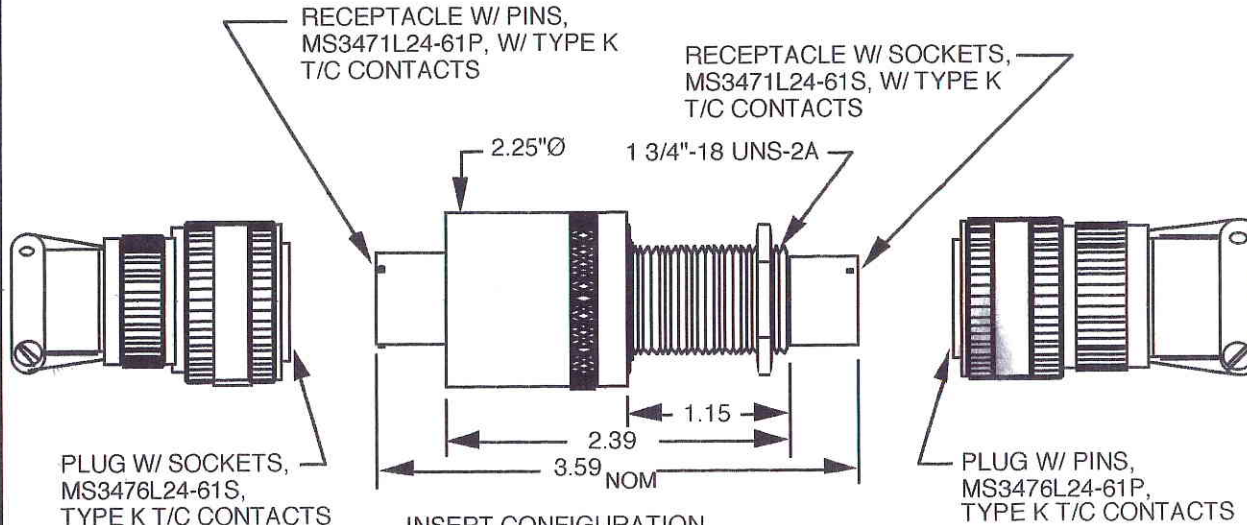
LEAD WIRE / CONNECTOR DATA

CONTAINS 30 PAIR OF TYPE 'K' THERMOCOUPLE CONTACTS AND 1 COPPER CONTACT.

UNLESS NOTED: All Dimension In Inches, Remove All Burrs, Break All Sharp Edges, Tolerances: .XX ±.01, .XXX ±.005

DOUGLAS ENGINEERING COMPANY

14 Beach Street, Rockaway, NJ 07866
PH: 201-627-8230 FX: 201-627-5798



INSERT CONFIGURATION

- | | |
|----------------|------------------------|
| A - CH - YEL + | h - CH - YEL + |
| B - AL - RED - | i - AL - RED - |
| C - CH - YEL + | j - CH - YEL + |
| D - AL - RED - | k - AL - RED - |
| E - CH - YEL + | m - CH - YEL + |
| F - AL - RED - | n - AL - RED - |
| G - CH - YEL + | p - CH - YEL + |
| H - AL - RED - | q - AL - RED - |
| J - CH - YEL + | r - CH - YEL + |
| K - AL - RED - | s - AL - RED - |
| L - CH - YEL + | t - CH - YEL + |
| M - AL - RED - | u - AL - RED - |
| N - CH - YEL + | v - CH - YEL + |
| P - AL - RED - | w - AL - RED - |
| R - CH - YEL + | x - CH - YEL + |
| S - AL - RED - | y - AL - RED - |
| T - CH - YEL + | z - CH - YEL + |
| U - AL - RED - | AA - AL - RED - |
| V - CH - YEL + | BB - CH - YEL + |
| W - AL - RED - | CC - AL - RED - |
| X - CH - YEL + | DD - CH - YEL + |
| Y - AL - RED - | EE - AL - RED - |
| Z - CH - YEL + | FF - CH - YEL + |
| a - AL - RED - | GG - AL - RED - |
| b - CH - YEL + | HH - CH - YEL + |
| c - AL - RED - | JJ - AL - RED - |
| d - CH - YEL + | KK - CH - YEL + |
| e - AL - RED - | LL - AL - RED - |
| f - CH - YEL + | MM - CH - YEL + |
| g - AL - RED - | NN - AL - RED - |
| | PP - Cu ALL TC SHEILDS |

MASTER

ECN#	REV	APP'D	DATE	Drawn TW Date 9/28/95 App'd Date	Title RBTR T/C POTCON FEEDTHRU	Dwg No 24235K	Rev. OR
Ref: CATALOG					SCALE: NTS		SHEET 1 OF 1