

27904

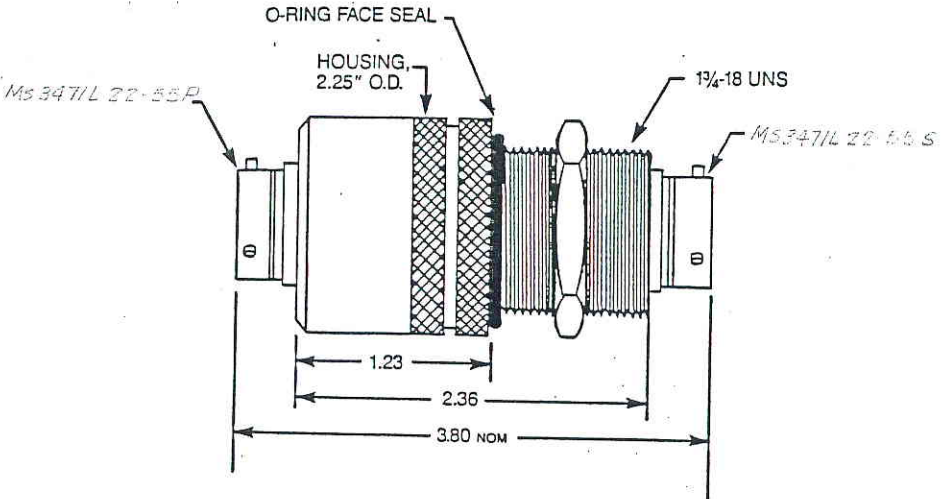
DUCTORSEAL® SPECIFICATIONS

ENVIRONMENTAL CONDITIONS		QUALITY CONTROL TESTING	
TEMP.	-40°F to +225°F	THERMAL CYCLING	HRS PER CYCLE
PRESSURE		SAMPLING	
VACUUM	1 x 10 ⁻⁷ TORR	NO. OF CYCLES	
CHEMICALS		LOW TEMP	
OTHER		HIGH TEMP	


HOUSING SPECIFICATIONS		DPS1060-3-3-0	
DE PART NO.	12133	600VAC	45MA
THREAD	1/4-18 UNS-2A	1 x 10 ⁻⁸ STB	251300 Hz
TYPE	FACE SEAL		
MATL	STN. STL.		

CONSTRUCTION	
INTERNAL	5254 8232
EXTERNAL	5304-134
POTTING	1469-1481

LEAD WIRE DATA	
DE PART NO.	12182-20
QTY OF COND	55
AWG	20
COND MATL	COPPER WELD
STRANDING	
PLATING	
INSULATION	
VOLT RATING	
TEMP RATING	
SPECIFICATION	
COLOR CODE	
DESCRIPTION	



LEAD WIRE ENDS MAY BE STRIPPED 1/4 IN FOR TESTING

Drawn	EHH	Date	1/22/91	 Ductorseal Insulated Feedthru DOUGLAS ENGINEERING CO. 14 Beach Street Rockaway, N.J. 07866 201-871-8230
App'd	Ods	Date	1/22/91	
Do Not Scale Dwg				
UNLESS NOTED				TITLE
All Dimensions in Inches Remove All Burrs Break All Sharp Edges Tolerances: .XX ± .01 .XXX ± .005				size Dwg No B 24234
Rev	ECN	App'd	Date	REF KAMMAN SCIENCE SCALE: SHEET 1 OF 1

MASTE

33017

VALID THRU Aug. 2012
~~Feb. 2012~~