

ATMOSPHERE

VACUUM

24230K OR

ENVIRONMENTAL CONDITIONS

TEMP -40° TO +225°F  
PRESSURE  
VACUUM  
CHEMICALS  
OTHER

QC TESTING

ELECTRICAL HIPOT @ 600VAC  
VACUUM LEAK @ 1 X 10(-8) STD cc He/sec  
PRESSURE LEAK @ NONE

CONSTRUCTION

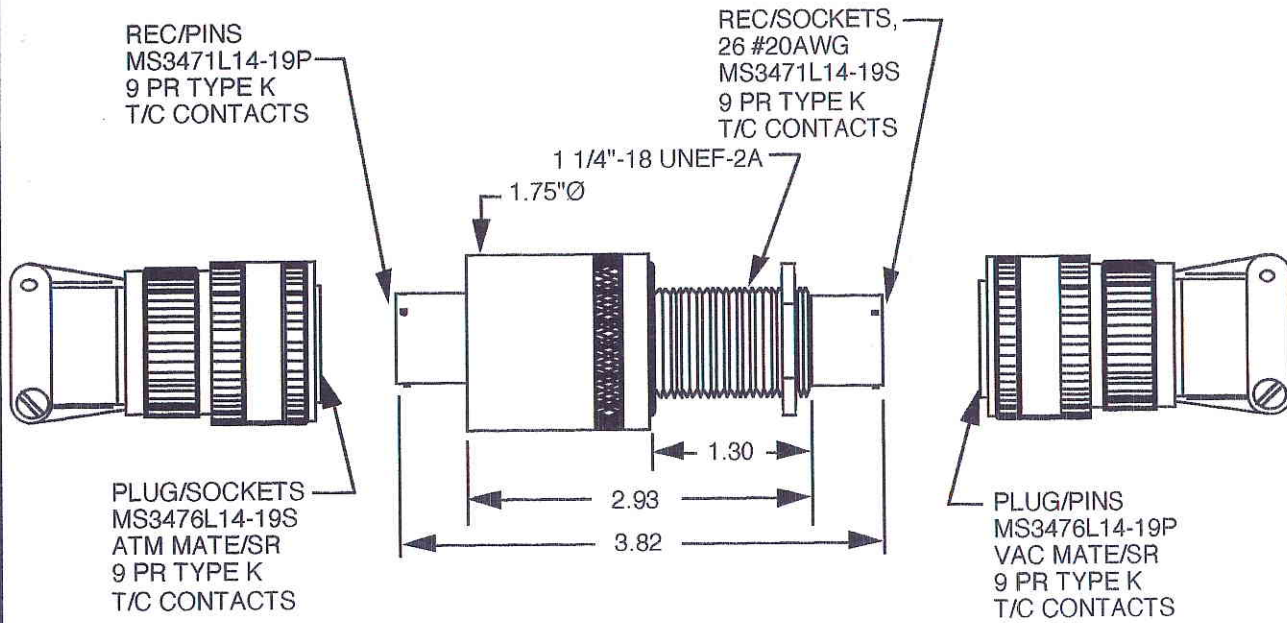
INTERNAL 5294  
EXTERNAL 5304-126  
POTTING 1469/1481

HOUSING SPECIFICATIONS

HSG P/N 11058-3-3  
THREAD 1 1/4"-18 UNEF-2A  
MAT'L STAINLESS STEEL  
TYPE FACESEAL O-RING

LEAD WIRE / CONNECTOR DATA

CONTAINS:  
(9 PR) #20AWG TYPE K TEFLON T/C, 29553-20 W/  
ALUMEL AND CHROMEL CONTACTS.



NOTES:

1. WHEN ORDERED AS SET24230K, INCLUDE THE POTCON, ATM AND VAC MATES, S/R AND T/C CONTACTS.
2. THE CONNECTOR INSERT CONTACT CONFIGURATION IS AS FOLLOWS:  
CHROMEL (+) - A, ALUMEL (-) - B, CHROMEL (+) - C, ALUMEL (-) - D....  
V WILL BE A GOLD PLATED COPPER CONTACT (SUPPLIED W/ CONN).

SILVER Solder Only

MASTER

UNLESS NOTED: All Dimension In Inches, Remove All Burrs, Break All Sharp Edges, Tolerances: .XX ±.01, .XXX ±.005

DOUGLAS ENGINEERING COMPANY

14 Beach Street, Rockaway, NJ 07866  
PH: 973-627-8230 FX: 973-627-5798

RoHS COMPLIANT

ECN#	REV	APP'D	DATE	Drawn TW	Title
				Date 2/19/98	RBTR TYPE K T/C POTCON
				App'd <i>GW</i>	Dwg No
				Date 2/19/98	24230K
Ref: CATALOG				SCALE: NTS	Rev. OR
				SHEET	1 OF 1