

24225

ATM

VACUUM

ENVIRONMENTAL CONDITIONS

TEMP -40°F TO +225°F
 PRESSURE
 VACUUM
 CHEMICALS
 OTHER

QC TESTING

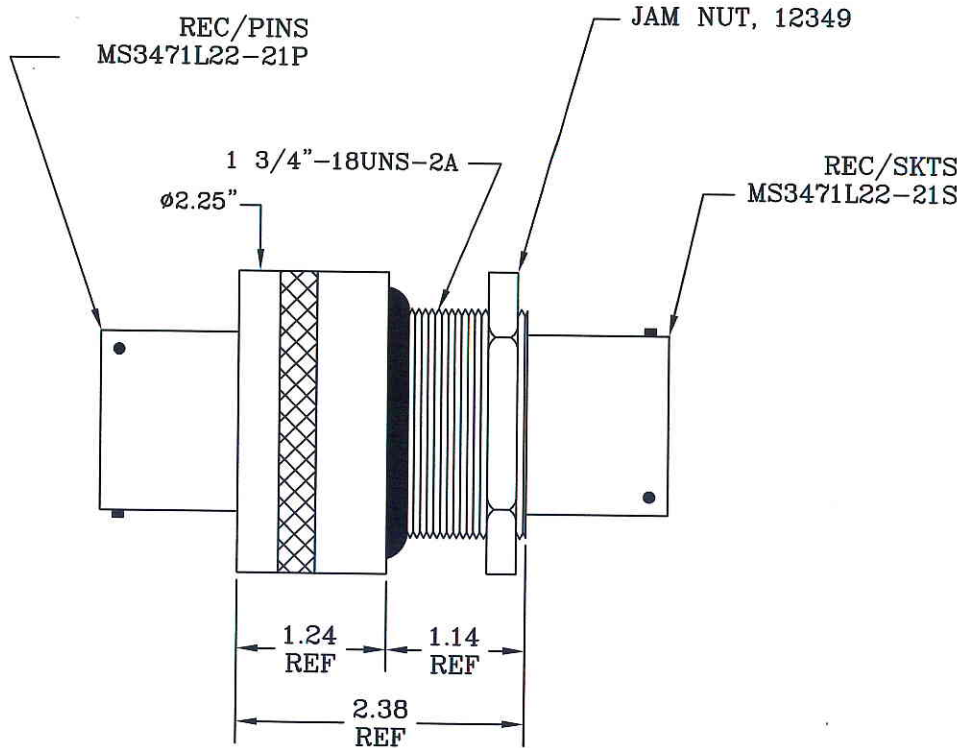
VACUUM LEAK @ 1×10^{-8}
 PRESSURE LEAK @ PSI
 ELECTRICAL HIPOT @ 600VAC

HOUSING SPECIFICATIONS

HSG P/N 12138
 THREAD 1 3/4"-18 UNS-2A
 MAT'L SS
 TYPE VACUUM FACESEAL

LEAD WIRE/CONNECTOR DATA

CONTAINS:
 (21) #16AWG COPPER WELD



NOTES:

1. INCLUDE MATES/SR WHEN ORDERED AS A SET ONLY.
2. CONNECTOR INSERT CONSISTS OF 21 #16AWG CONTACTS
3. POTCON MUST HAVE THE PART NUMBER PERMANENTLY AND LEGIBLY MARKED ON THE SURFACE OF THE POTCON HOUSING. IF THIS IS NOT POSSIBLE DUE TO PHYSICAL SIZE OR NATURE OF MATERIAL, AN ID TAG WILL BE SECURELY AFFIXED TO EACH ARTICLE.
4. C OF C REQ'D.

CUSTOMER APPROVAL
 By: _____
 Date: _____

UNLESS NOTED: All Dimensions In Inches, Remove All Burrs, Break All Sharp Edges, Tolerances: .XX ±0.1 .XXX ±0.05
DOUGLAS ELECTRICAL COMPONENTS
 14 Beach Street, Rockaway, NJ 07866
 PH: 973-627-8230 FX: 973-627-5798

MASTER

REV	ECN#	APP'D	DATE	TITLE	Rev.
				1 3/4"-18 RBTR POTCON	OR
				Drawn TW	
				Date 2/29/08	
				App'd TW	
				Date 10-20-08	
				Dwg No 24225	

Ref: CATALOG

SCALE: NTS

SHEET 1 OF 1

VALID THRU Dec. 2010