

24209

THIS IS A CATALOG
PART.

HOWEVER, THE
CATALOG HAS AN
ERROR.

THIS PART REPRESENTS
WHAT THE CATALOG
PART *SHOULD* BE. IT
DOES NOT MATCH WHAT
IS IN THE CATALOG.

TO MAKE THE PART
ACTUALLY IN THE
CATALOG, SEE DE p/n
47089.

24209 OR

ENVIRONMENTAL CONDITIONS

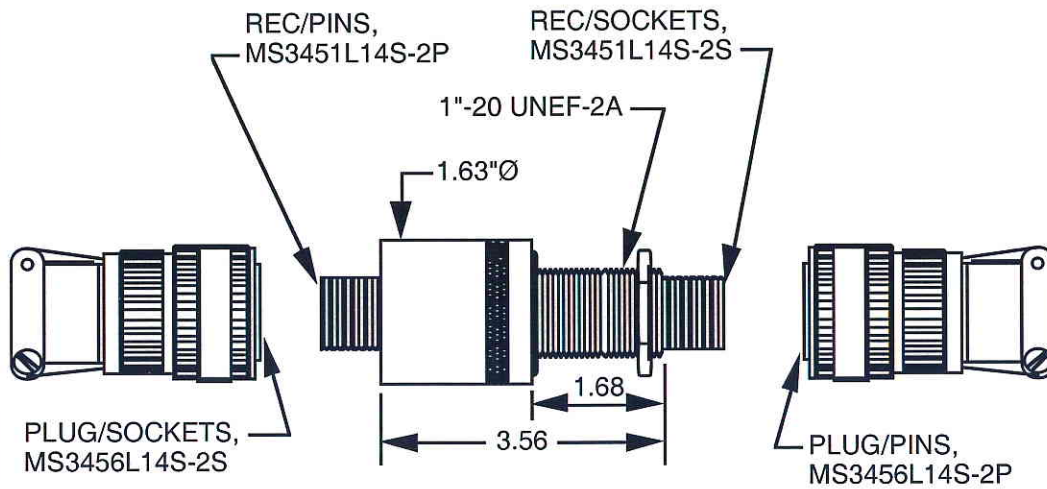
TEMP -40° TO +225°F
PRESSURE
VACUUM
CHEMICALS
OTHER

QC TESTING

ELECTRICAL HIPOT @ 600VAC
VACUUM LEAK @ 1 X 10(-8) STD cc He/sec
PRESSURE LEAK @ NONE

ATMOSPHERE

VACUUM



CONSTRUCTION

INTERNAL 5294
EXTERNAL 5304-123
POTTING 1469/1481

HOUSING SPECIFICATIONS

HSG P/N 12376-2-3
THREAD 1"-20 UNEF-2A
MAT'L STAINLESS STEEL
TYPE FACESEAL O-RING

LEAD WIRE / CONNECTOR DATA

CONTAINS:
(4) #16AWG GOLD PLATED COPPER CONTACTS.

NOTES:

1. INCLUDE MATING CONNECTORS AND S/R WHEN ORDERED AS A SET.
2. THE CONNECTOR CONTAINS 4 #16AWG CONTACTS.

UNLESS NOTED: All Dimension In Inches, Remove All Burrs,
Break All Sharp Edges, Tolerances: .XX ±.01, .XXX ±.005

MASTER

DOUGLAS ELECTRICAL COMPONENTS



14 Beach Street, Rockaway, NJ 07866
PH: 973-627-8230 FX: 973-627-5798

ECN#	REV	APP'D	DATE	Title	
				1"-20 RBTR POTCON	
Drawn TW				Dwg No	
Date 1/24/2003				24209	
App'd <i>mjk</i>				Rev.	
Date 1/27/03				OR	

Ref: CATALOG

SCALE: NTS

SHEET 1 OF 1