

ATMOSPHERE

VACUUM

**ENVIRONMENTAL CONDITIONS**

TEMP -40° TO +225°F  
PRESSURE  
VACUUM  
CHEMICALS  
OTHER

**QC TESTING**

ELECTRICAL HIPOT @ 600VAC  
VACUUM LEAK @ 1 X 10<sup>(-8)</sup> STD cc He/sec  
PRESSURE LEAK @ NONE

**CONSTRUCTION**

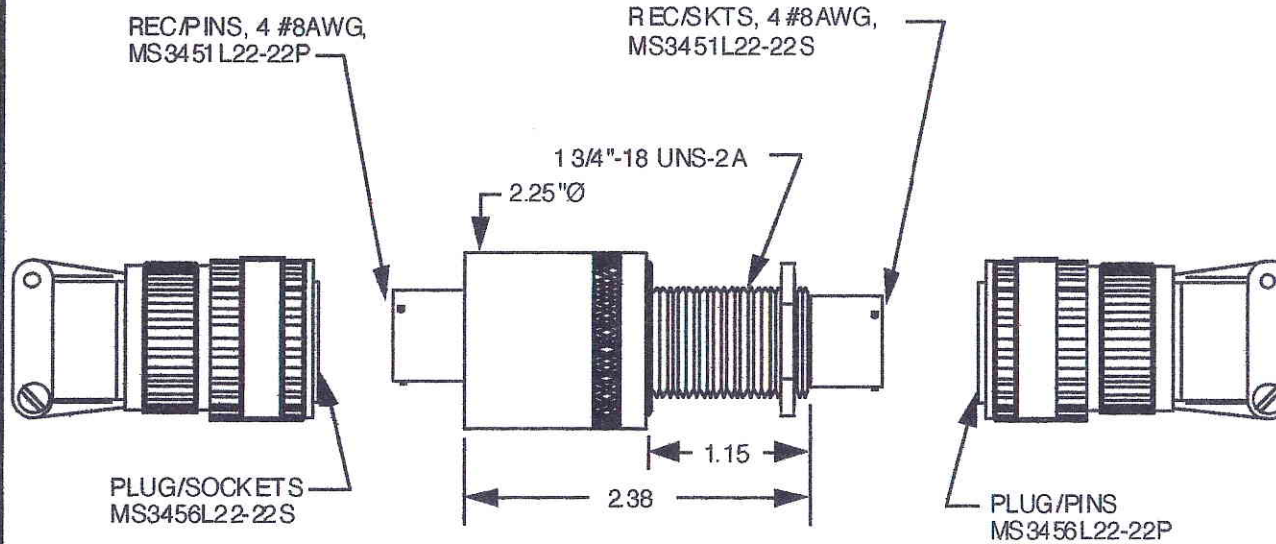
INTERNAL 5294  
EXTERNAL 5304-134  
POTTING 1469/1481

**HOUSING SPECIFICATIONS**

HSG P/N 12138  
THREAD 1 3/4"-18 UNS-2A  
MAT'L STAINLESS STEEL  
TYPE FACESEAL O-RING

**LEAD WIRE / CONNECTOR DATA**

CONTAINS:  
(4) #8AWG COPPER CONTACTS.



**NOTES:**

1. WHEN ORDERED AS SET24201, INCLUDE THE POTCON, ATM AND VAC MATES AND S/R.

UNLESS NOTED: All Dimension In Inches, Remove All Burrs, Break All Sharp Edges, Tolerances: .XX ±.01, .XXX ±.005

**DOUGLAS ENGINEERING COMPANY**  
14 Beach Street, Rockaway, NJ 07866  
PH: 201-627-8230 FX: 201-627-5798

**MASTER**

ECN#	REV	APP'D	DATE	Drawn	TW	Title
3439	A	TW	5/2/97	Date	1/30/97	1 3/4"-18 RBTR POTCON
				App'd		Dwg No
				Date		<b>24201</b>
						Rev.
						<b>A</b>

Ref: CATALOG

SCALE: NTS

SHEET 1 OF 1