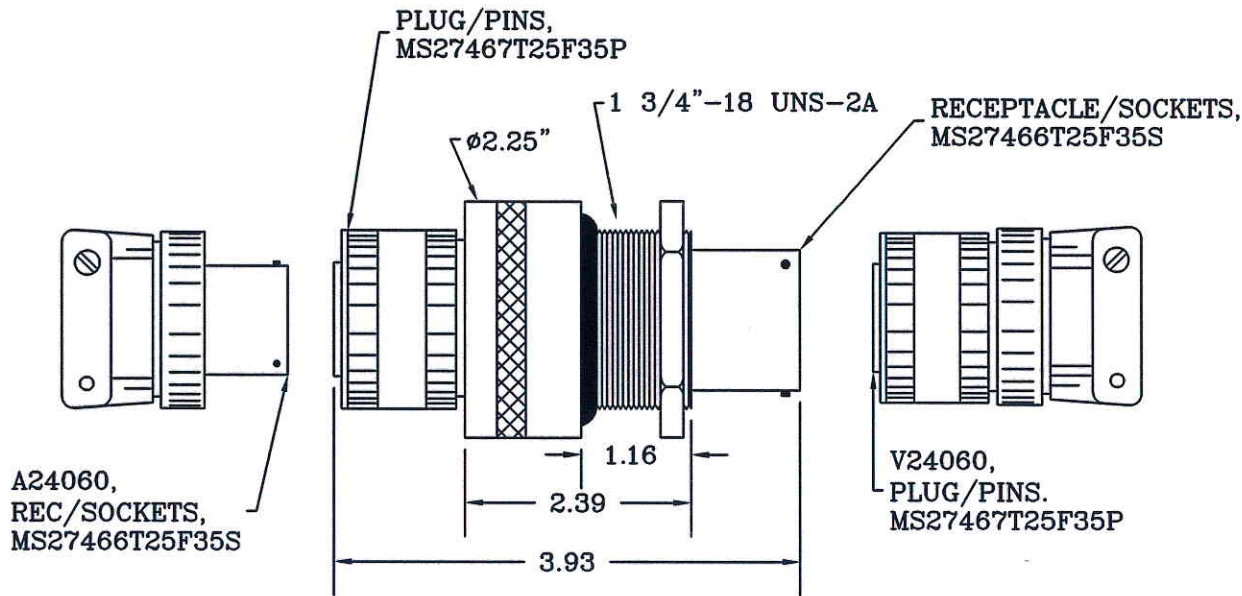


ATM

VACUUM



ENVIRONMENTAL CONDITIONS

TEMP -40° TO +225°F
PRESSURE
VACUUM
CHEMICALS
OTHER

QC TESTING

VACUUM LEAK @ 1X10⁻⁸
ELECTRICAL HIPOT @ 600VAC

HOUSING SPECIFICATIONS

HSG P/N 12138
THREAD 1 3/4"-18 UNS-2A
MAT'L STAINLESS STEEL
TYPE FACESEAL O-RING

LEAD WIRE/CONNECTOR DATA

CONTAINS:
(128) #22AWG COPPERWELD
P/N 12182-22

MASTER

NOTES:

- CONNECTOR INSERT CONTAINS 128 #22AWG GOLD PLATED COPPER CONTACTS.
- FACESEAL O-RING IS VITON.
- MATING CONNECTORS (SHOWN FOR REFERENCE) ARE NOT INCLUDED.

UNLESS NOTED: All Dimensions in inches, Remove All Burrs, Break All Sharp Edges, Tolerances: .XX ±.01, .XXX ±.005

DOUGLAS ELECTRICAL COMPONENTS

5 Middlebury Blvd, Randolph, NJ 07869
PH: 973-627-8230 FX: 866-206-6916

VALID THRU July 2012

CUSTOMER APPROVAL	
By: _____	
Date: _____	

REV	ECN#	APP'D	DATE	TITLE	Rev.
				1 3/4"-18 PBTR POTCON	
				Dwg No	
				24060	A

Drawn: AL
Date: 5/24/12
App'd: C.R.
Date: 5/24/12