

ATMOSPHERE

VACUUM 24059 OR

**ENVIRONMENTAL CONDITIONS**

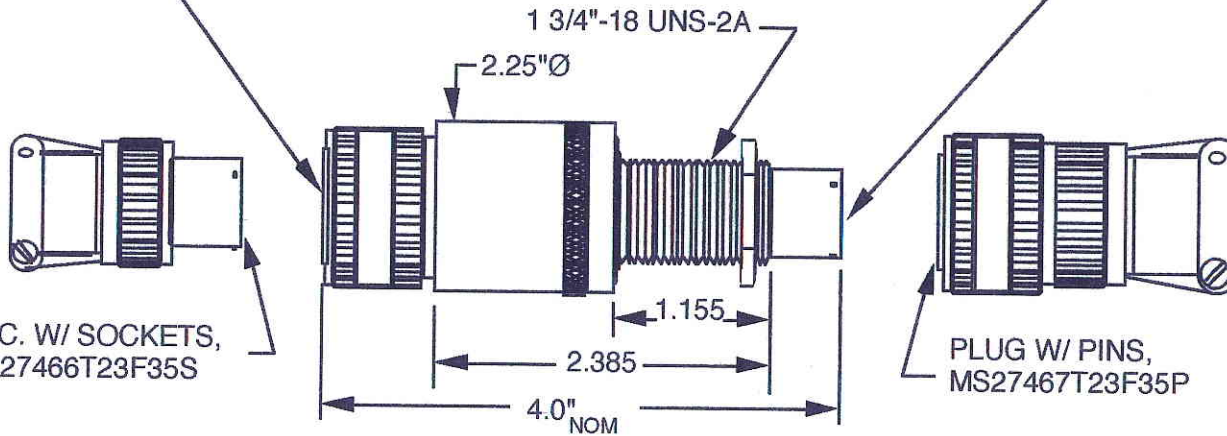
TEMP -40° TO +225°F  
PRESSURE  
VACUUM  
CHEMICALS  
OTHER

**QC TESTING**

ELECTRICAL HIPOT @ 600VAC  
VACUUM LEAK @ 1 X 10(-8) STD cc He/sec  
PRESSURE LEAK @ NONE

RECEPTACLE W/ SOCKETS,  
MS27466T23F35S

PLUG W/ PINS,  
MS27467T23F35P



DE 6

**HOUSING SPECIFICATIONS**

HSG P/N 12138  
THREAD 1 3/4"-18 UNS-2A  
MAT'L STAINLESS STEEL  
TYPE FACESEAL O-RING

**LEAD WIRE / CONNECTOR DATA**

CONTAINS  
(100) #22AWG CONTACTS.

**NOTES:**

1. DO NOT INCLUDE MATES W/ STRAIN RELIEF (SHOWN FOR REFERENCE ONLY).

UNLESS NOTED: All Dimension In Inches, Remove All Burrs, Break All Sharp Edges, Tolerances: .XX±.01, .XXX±.005

Customer Approval:  
By: *[Signature]*  
Date: *8/27/04*

**DOUGLAS ENGINEERING COMPANY**  
14 Beach Street, Rockaway, NJ 07866  
PH: 973-627-8230 FX: 973-627-5798

DE 2

**MASTER**

ECN#	REV	APP'D	DATE	Title	Rev.
				1 3/4"-18 PBTR POTCON	OR
Drawn TW Date 9/3/2003 App'd <i>[Signature]</i> Date 8/27/04				Dwg No <b>24059</b>	
Ref: CATALOG				SCALE: NTS	SHEET 1 OF 1

FIRST ARTICLE INSPECTION:  REQUIRED  NOT REQUIRED

VALID THRU *July 2012*  
*Feb. 2011*