

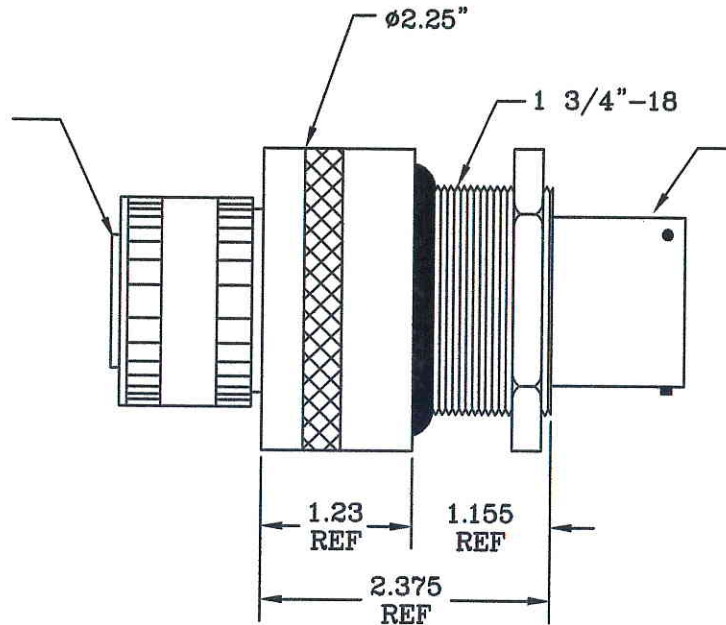
24055

ATM

VACUUM

NORMAL
CLOCKING

PLUG/PINS,
55 #20AWG,
MS27467T23F55P



RECEPTACLE/SOCKETS,
55 #20AWG,
MS27466T23F55S

ENVIRONMENTAL CONDITIONS

TEMP -40°F TO +225°F
PRESSURE
VACUUM
CHEMICALS
OTHER

QC TESTING

VACUUM LEAK @
< 1 X 10⁻⁸ cc He/sec

ELECTRICAL HIPOT@ 600VAC

HOUSING SPECIFICATIONS

HSG P/N 12138
THREAD 1 3/4"-18
MAT'L STAINLESS STEEL
TYPE VACUUM FACESEAL

LEAD WIRE/CONNECTOR DATA


CONTAINS:
(55) #20AWG COPPERWELD

MASTER

NOTES:

1. INCLUDE JAM NUT AND O-RING.
2. MATES NOT INCLUDED.
3. SHELL TO SHELL AND SHELL TO HOUSING CONTINUITY REQUIRED.

UNLESS NOTED: All Dimensions in Inches, Remove All
Burrs, Break All Sharp Edges, Tolerances: .XX ±.01, .XXX ±.005

CUSTOMER APPROVAL				DOUGLAS ELECTRICAL COMPONENTS	
By: _____				 14 Beach Street, Rockaway, NJ 07866 PH: 973-627-8230 FX: 973-627-5798	
Date: _____					
REV	ECN#	APP'D	DATE	Drawn TW Date 8/10/05 App'd <i>JS</i> Date 3/17/05	TITLE
					1 3/4"-18 PBTR POTCON
					Dwg No
					24055
Ref: CATALOG				SCALE: NTS	Rev. OR

VALID THRU Aug 2013
13 Feb 2011

