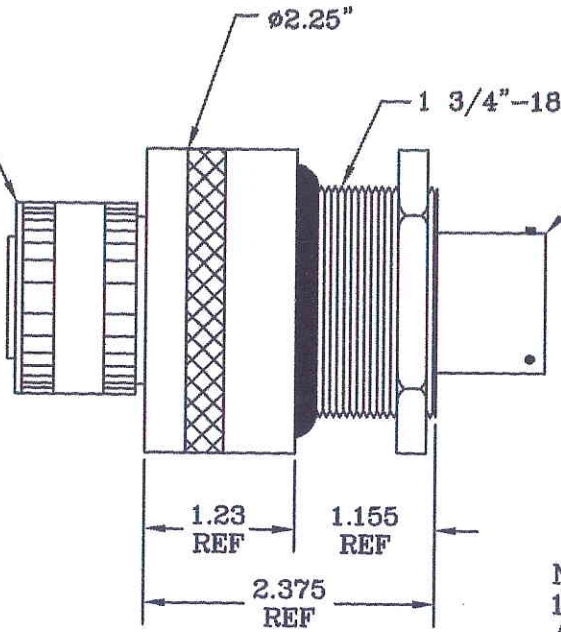


24055T

ATM

VACUUM

PLUG/PINS
MS27467T23F55P



REC/SKTS
MS27466T23F55S

NOTES:
1. DO NOT INCLUDE MATES
AND STRAIN RELIEFS

ENVIRONMENTAL CONDITIONS

TEMP -40°F TO +225°F
PRESSURE
VACUUM
CHEMICALS
OTHER

QC TESTING

VACUUM LEAK @ 1×10^{-8}
PRESSURE LEAK @ PSI
ELECTRICAL HIPOT @ 600VAC

CONSTRUCTION

INTERNAL 5294
EXTERNAL 5023-134
POTTING 1469/1481

HOUSING SPECIFICATIONS

HSG P/N 12138
THREAD $1 \frac{3}{4}"$
MAT'L STN STL
TYPE VACUUM FACESEAL

LEAD WIRE/CONNECTOR DATA

CONTAINS:
(27PR) #20AWG T/C TYPE 'T'
P/N 29554-20

Customer Approval:
By: _____
Date: SEP 05 2004

MASTER

UNLESS NOTED: All Dimensions in Inches, Remove All Burrs, Break All Sharp Edges, Tolerances: .XX ±.01, .XXX ±.005

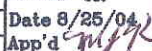
DOUGLAS ELECTRICAL COMPONENTS

 14 Beach Street, Rockaway, NJ 07866
PH: 973-627-8230 FX: 973-627-5798

PIN	MATERIAL	PIN	MATERIAL	PIN	MATERIAL	PIN	MATERIAL
A	COPPER	S	CONSTANTAN	h	COPPER	y	CONSTANTAN
B	CONSTANTAN	T	COPPER	i	CONSTANTAN	z	COPPER
C	COPPER	U	CONSTANTAN	j	COPPER	AA	CONSTANTAN
D	CONSTANTAN	V	COPPER	k	CONSTANTAN	BB	COPPER
E	COPPER	W	CONSTANTAN	m	COPPER	CC	CONSTANTAN
F	CONSTANTAN	X	COPPER	n	CONSTANTAN	DD	COPPER
G	COPPER	Y	CONSTANTAN	p	COPPER	EE	CONSTANTAN
H	CONSTANTAN	Z	COPPER	q	CONSTANTAN	FF	COPPER
J	COPPER	a	CONSTANTAN	r	COPPER	GG	CONSTANTAN
K	CONSTANTAN	b	COPPER	s	CONSTANTAN	HH	COPPER (spare)
L	COPPER	c	CONSTANTAN	t	COPPER		
M	CONSTANTAN	d	COPPER	u	CONSTANTAN		
N	COPPER	e	CONSTANTAN	v	COPPER		
P	CONSTANTAN	f	COPPER	w	CONSTANTAN		
R	COPPER	g	CONSTANTAN	x	COPPER		

DE 2

REV	ECN#	APP'D	DATE

Drawn CR
Date 8/25/04
App'd 
Date 8/30/04
TITLE
1 3/4" PBTR T/C TYPE 'T'
POTCON
Dwg No
24055T
Rev.
OR