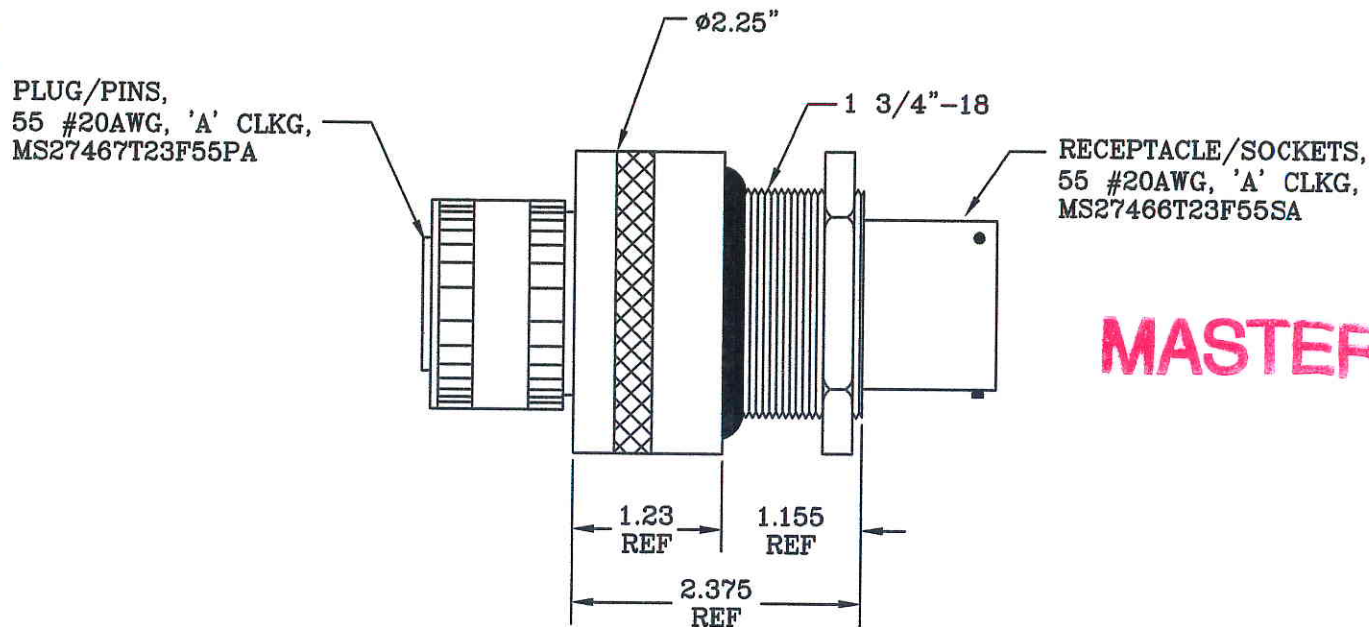


24055A

ATM

VACUUM

'A' CLOCKING



ENVIRONMENTAL CONDITIONS

TEMP -40°F TO +225°F  
 PRESSURE  
 VACUUM  
 CHEMICALS  
 OTHER

QC TESTING

VACUUM LEAK @  
 < 1 X 10<sup>-8</sup> cc He/sec

ELECTRICAL HIPOT@ 600VAC

HOUSING SPECIFICATIONS

HSG P/N 12138  
 THREAD 1 3/4"-18  
 MAT'L STAINLESS STEEL  
 TYPE VACUUM FACESEAL

LEAD WIRE/CONNECTOR DATA


CONTAINS:  
 (55) #20AWG COPPERWELD

MASTER

NOTES:

1. INCLUDE JAM NUT AND O-RING.
2. MATES NOT INCLUDED.
3. SHELL TO SHELL AND SHELL TO HOUSING CONTINUITY REQUIRED.

UNLESS NOTED: All Dimensions in Inches, Remove All Burrs, Break All Sharp Edges, Tolerances: .XX ±.01, .XXX ±.005

CUSTOMER APPROVAL				DOUGLAS ELECTRICAL COMPONENTS	
By: _____				 14 Beach Street, Rockaway, NJ 07866 PH: 973-627-8230 FX: 973-627-5798	
Date: _____					
REV	ECN#	APP'D	DATE	Drawn TW Date 8/10/05 App'd _____ Date 8/17/05	TITLE 1 3/4"-18 PBTR POTCON, 'A' CLOCKING Dwg No 24055A
Ref: CATALOG				SCALE: NTS	Rev. OR

DES