

ATMOSPHERE

VACUUM

24054 OR

ENVIRONMENTAL CONDITIONS

TEMP -40° TO +225°F
PRESSURE
VACUUM
CHEMICALS
OTHER

QC TESTING

ELECTRICAL HIPOT @ 600VAC
VACUUM LEAK @ 1 X 10(-8) STD cc He/sec
PRESSURE LEAK @ NONE

CONSTRUCTION

INTERNAL 8232
EXTERNAL 5304-126
POTTING 1469/1481

HOUSING SPECIFICATIONS

HSG P/N 12138
THREAD 1 3/4"-18 UNS-2A
MAT'L STAINLESS STEEL
TYPE FACESEAL O-RING

LEAD WIRE / CONNECTOR DATA

CONTAINS
(41) #20AWG CONTACTS.

MASTER

DE 2

UNLESS NOTED: All Dimension In Inches, Remove All Burrs, Break All Sharp Edges, Tolerances: .XX ±.01, .XXX ±.005

DOUGLAS ENGINEERING COMPANY
14 Beach Street, Rockaway, NJ 07866
PH: 973-627-8230 FX: 973-627-5798

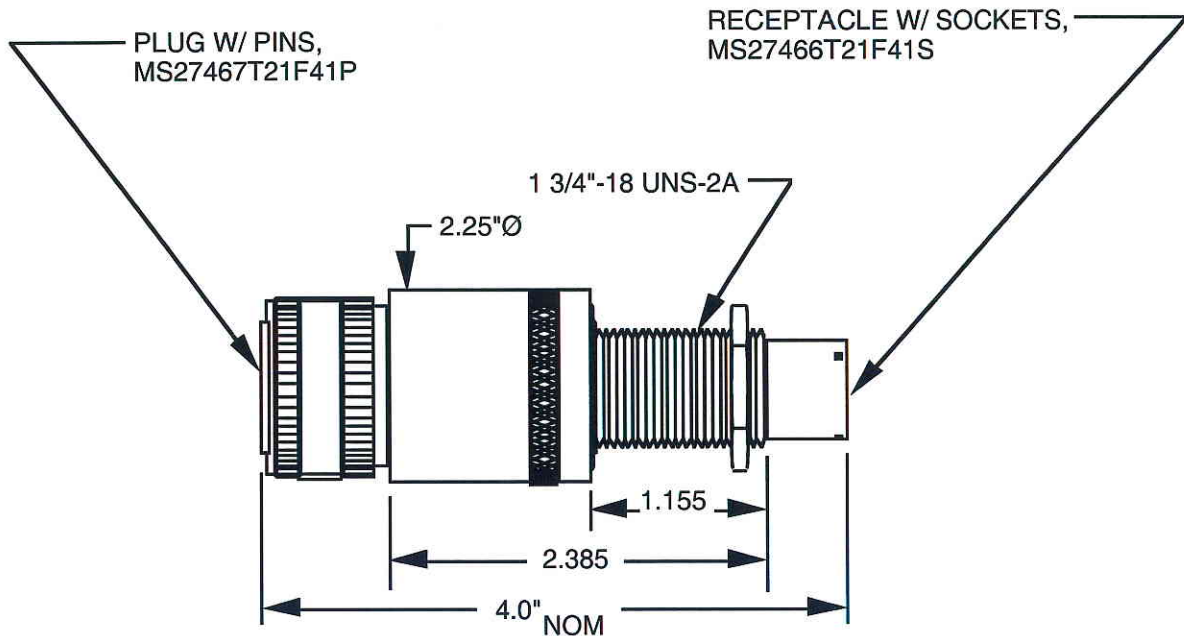
Customer Approval:
By: _____
Date: 9/9/03

ECN#	REV	APP'D	DATE	Title
				PBTR POTCON
Drawn CR Date 8/28/2003 App'd <i>mjk</i> Date 8/29/03				Dwg No 24054
Ref: CATALOG				Rev. OR
SCALE: NTS SHEET 1 OF 1				

VALID THRU

Nov. 2013
~~As of April 2012~~
~~Aug. 10~~

NOTES:
1. CONNECTOR INSERT CONTAINS (41) #20AWG CONTACTS.



FIRST ARTICLE INSPECTION: REQUIRED NOT REQUIRED