



Douglas Electrical Components

Ductorseal® Hermetic Feedthrus

Glandseal Pressure/Vacuum Feedthrus



EASILY REPLACEABLE COMPRESSION SEALED FEEDTHRUS FOR

- Fiber Optics
- Gas Containment
- Pumps
- Sensors
- Semiconductor Manufacturing Equipment
- HVAC
- Gloveboxes
- Vacuum

Contact us to learn how our products can work for you

973.627.8230 www.douglaselectrical.com



Certificate No. 3415

Douglas Electrical has established itself as the leading manufacturer of sealed conductors for the penetration of vacuum and pressure vessels. DECo has emerged as the market leader by providing the most comprehensive solutions to complex sealing challenges and is known for outstanding customer support and service. We pride ourselves on the flexibility we offer our customers to customize their own sealing solutions. Depending upon the application, DECo has an answer for your

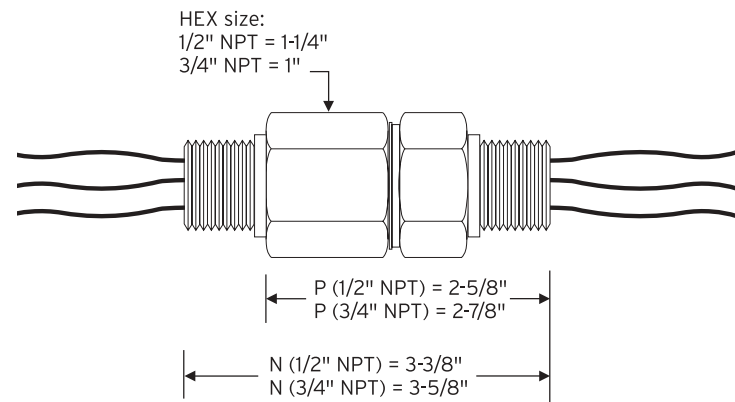
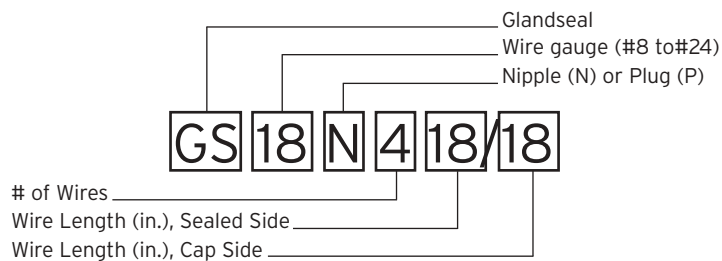
pressure or vacuum sealing dilemma. Whether choosing DECo's hermetically sealed conductors that utilize our epoxy technology or our Glandseal line of compression sealed conductors, our custom engineered solution will meet the most stringent quality standards at a cost that is typically less than off-the-shelf solutions available elsewhere. Please review our complete literature package for more information on our extensive line of sealing solutions.

Douglas Glandseal: soft sealant feedthrus reduce equipment costs and increase operational flexibility.

Certain feedthru applications call for the exceptional flexibility provided by Douglas Glandseals. For example, extreme temperature/pressure environments can cause irreparable sealant damage resulting in system downtime for component replacement. Douglas Glandseals, however, employ inexpensive and easily removable Teflon® seals which are quickly field installed by merely uncoupling the stainless steel fitting, unseating the old seal and replacing it with the new one after inserting the wire or probe. Result? By permitting the repeated use of the same fittings, Douglas Glandseals provide the performance of new feedthrus at only a fraction of their cost.

Since Douglas Glandseals are built to perform under rigorous conditions, seal replacement may be an infrequent consideration. They are pressure rated from vacuum up to 5,000 psi – and thrive in temperature extremes. They will accommodate from 1 to 12 leads of #8 to #24 AWG. In addition to applications listed, Douglas will custom build your soft sealant wire and probe feedthrus to your individual requirements. A call or e-mail to our engineering department will provide the immediate answers you need.

Part Numbering System:



- 303 or 316 Stainless Fittings. Other materials are available.
- Pressure ratings are dependent on design and material selection. Please contact applications engineering for details.
- Value added services such as connectorization, termination and T/C welding are available.
- Rated to 600VAC.
- Ampacity is design dependent. Please see page 9 of our Hermetics Catalog for ampacity ratings for wire in air.
- Conductors and sealing glands can be replaced and/or adjusted in the field with minimal effort.
- Spare gland sets are available for field replacement.
- Available in 1/4" and 3/4" NPT plugs and nipple designs.

- The selection of 1/2" or 3/4" NPT is dependent upon wire gauge and quantity. Please contact applications engineering for details.
- See page 9 of our Hermetics Catalog for wire ampacity ratings.
- All designs achieve a minimum of 1,500 psi. Higher pressure ratings are design dependent. Please contact applications engineering for details.



Douglas Electrical Components

14 Beach Street
 Rockaway, NJ 07866
 T 973.627.8230 F 973.627.5798
 www.douglaselectrical.com